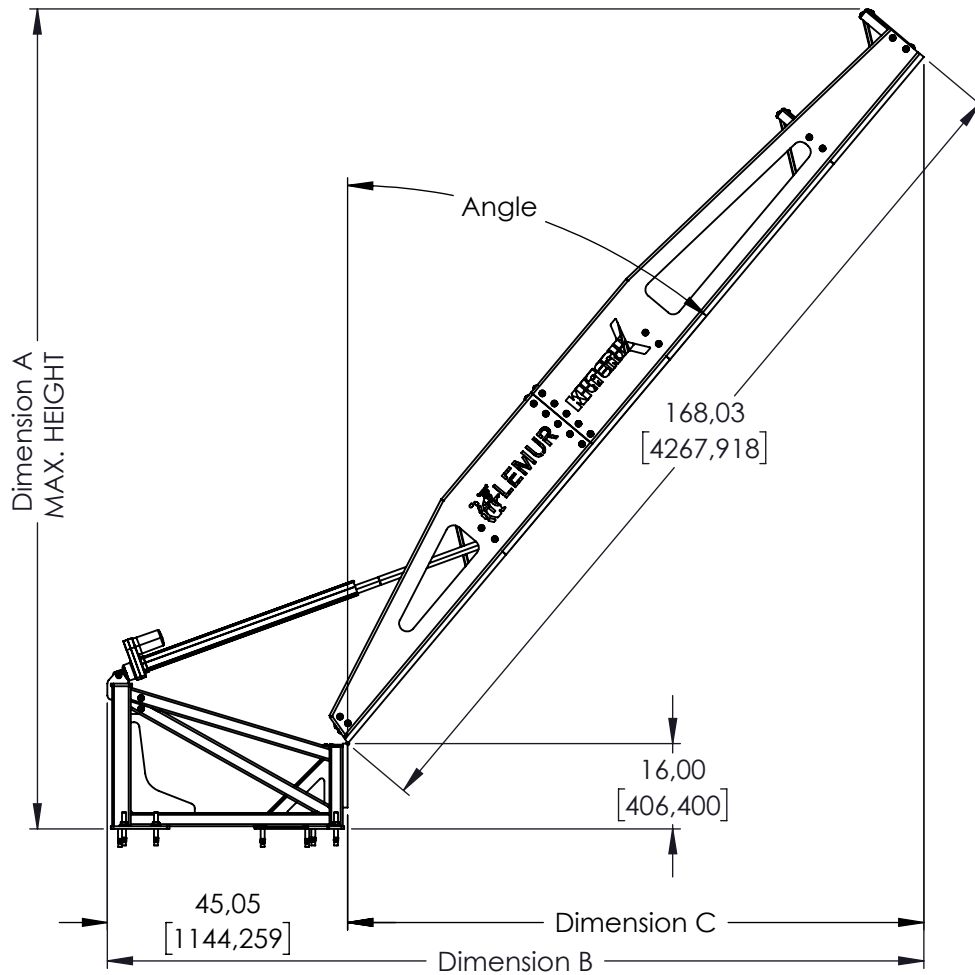


LEMUR SLAB WALL 24'x14'-16" Kickboard

[7316 x 4268 - 407 Kickboard]

DIMENSION TABLE



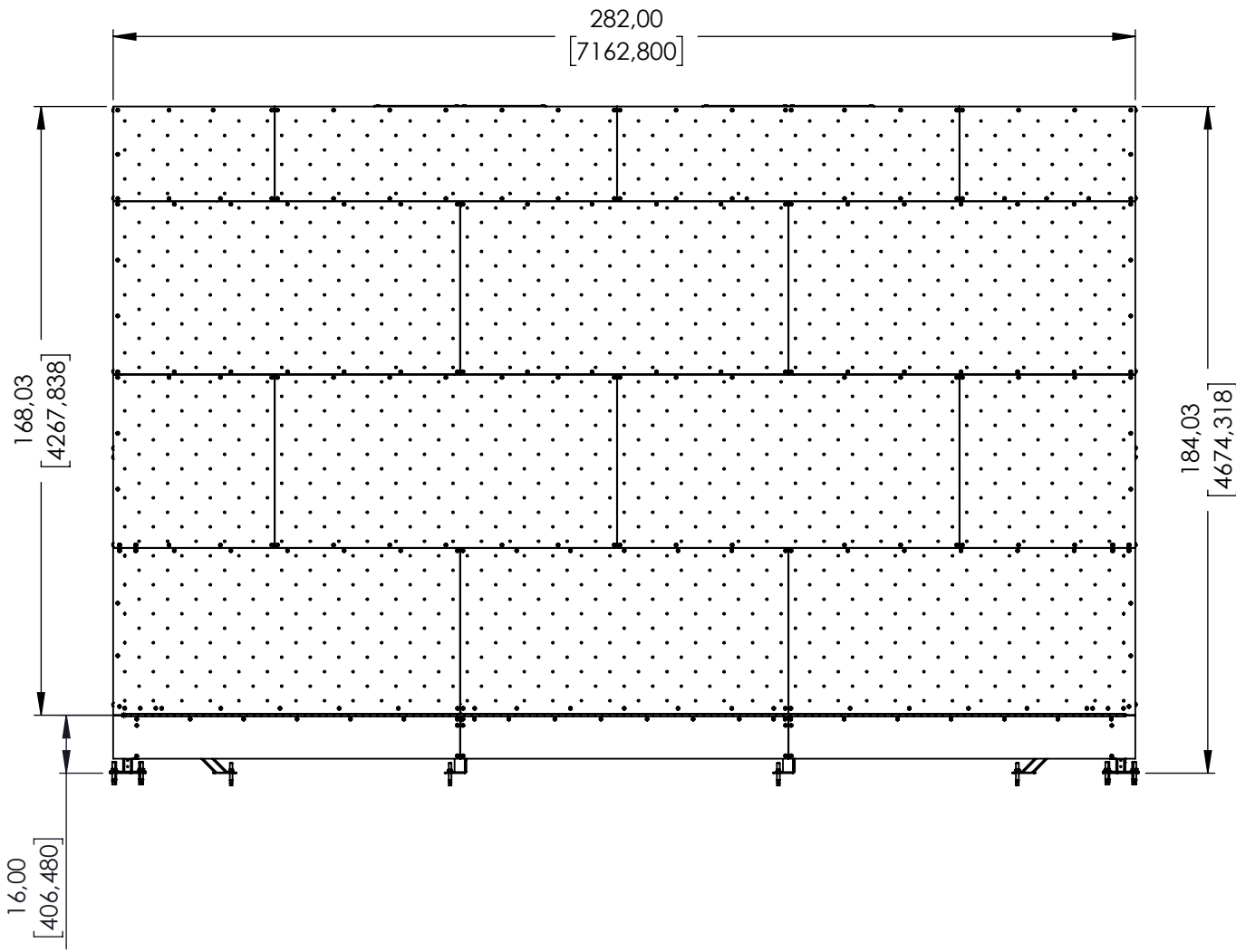
Angle	Dimension A	Dimension B	Dimension C
-10	181,45 (4608)	15,88 (403)	-
-5	183,36 (4657)	30,41 (772)	-
0	184,19 (4678)	45,05 (1144)	-
5	184,74 (4692)	59,69 (1516)	14,64 (372)
10	184,00 (4673)	74,22 (1885)	29,17 (741)
15	181,99 (4622)	88,53 (2248)	43,48 (1104)
20	178,71 (4539)	102,51 (2604)	57,46 (1460)
25	174,20 (4425)	116,05 (2947)	71 (1803)
30	168,48 (4280)	129,05 (3278)	84 (2134)
35	161,60 (4105)	141,41 (3592)	96,36 (2448)
40	153,61 (3901)	153,04 (3887)	108 (2743)



LEMUR SLAB WALL 24'x14'-16" Kickboard

[7316 x 4268 - 407 Kickboard]

FRONT VIEW



 **LEMUR** SLAB WALL 24'x14'-16" Kickboard

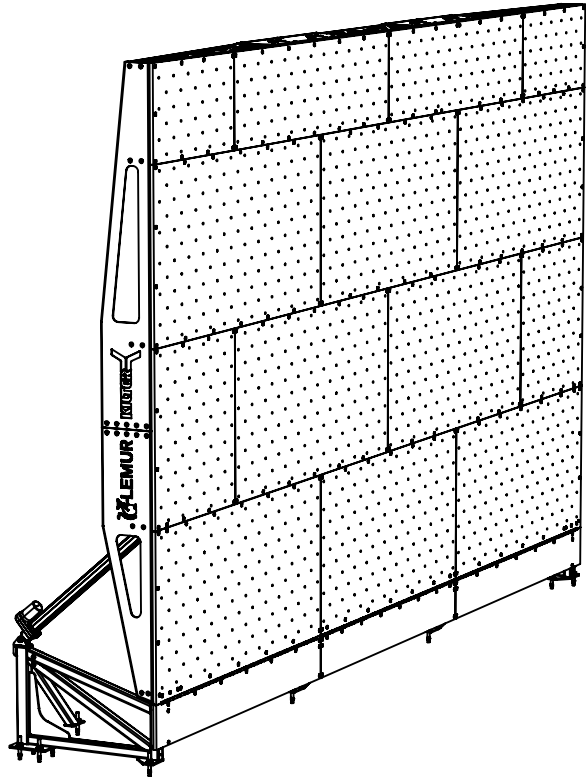
[7316 x 4268 - 407 Kickboard]

FLOOR MOUNTING DIAGRAM

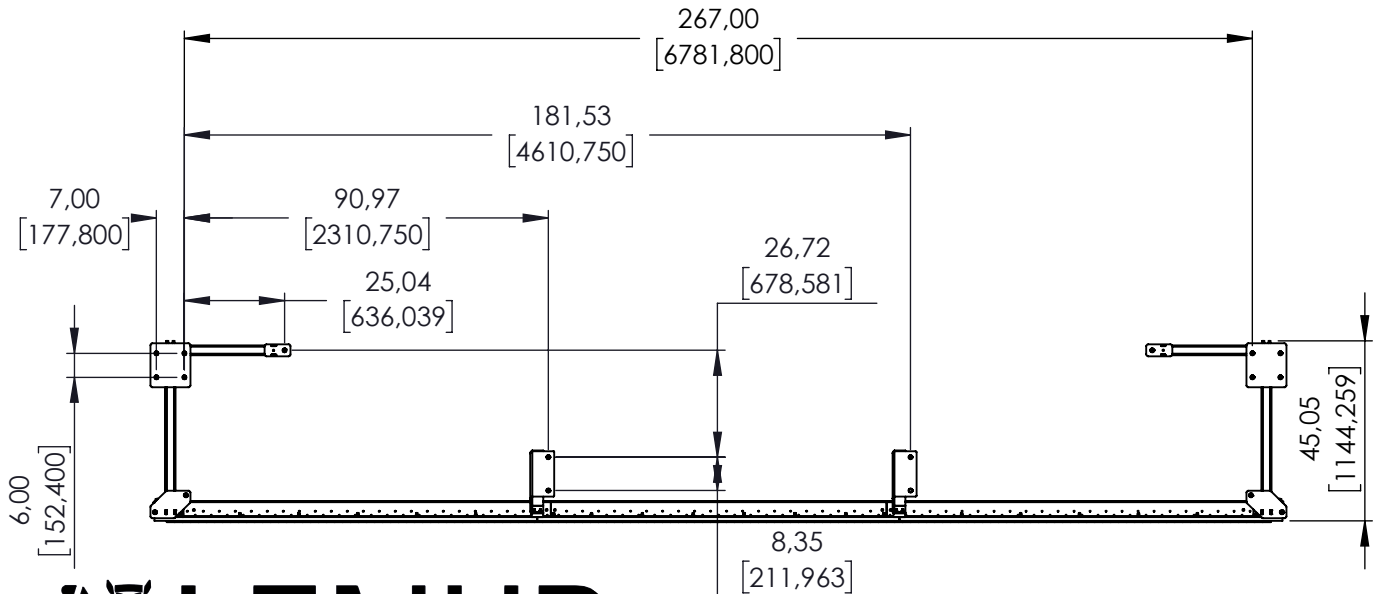
ISOMETRIC VIEW (HIDDEN KICKBOARD AND BRACES FOR BETTER VISUALISATION)



3/4" (19mm)Ø, 5 1/2 (140mm) Length
Steel Concrete Expansion Anchor



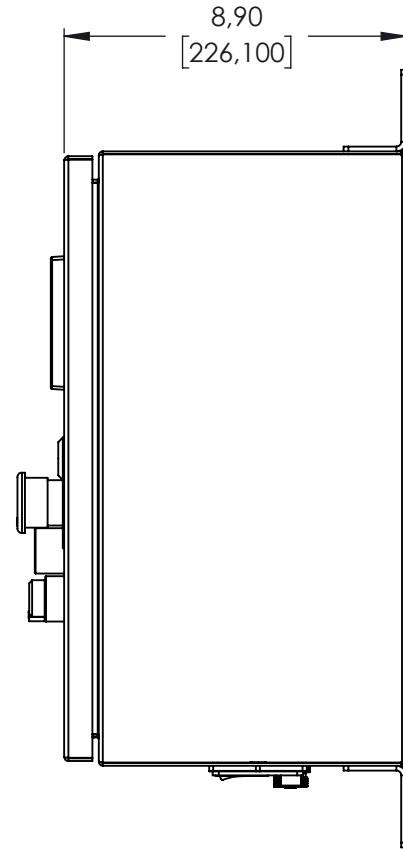
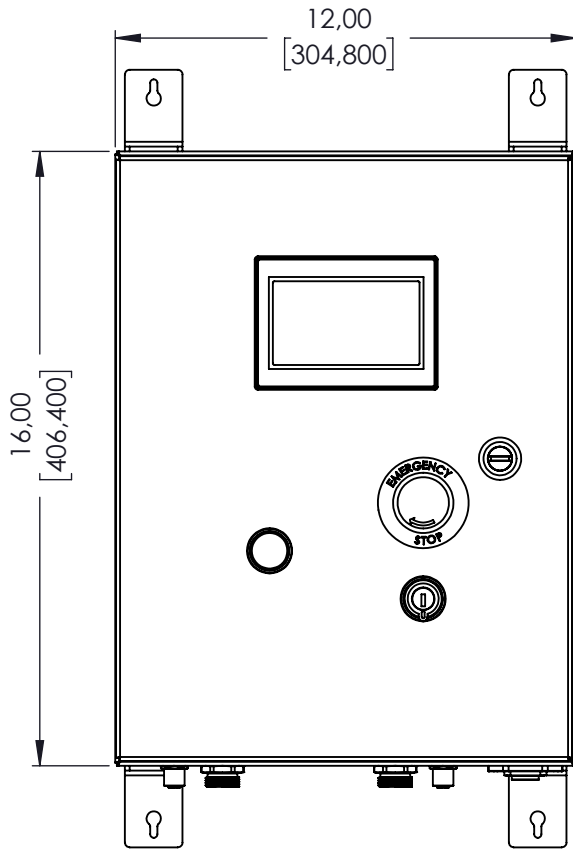
TOP VIEW
(Anchor brackets only)



LEMUR SLAB WALL 24'x14'-16" Kickboard

[7316 x 4268 - 407 Kickboard]

CONTROLLER BOX



SPECIFICATION

SPECIFICATION	
SIZE	16X12X8.9/406X305X226
WEIGHT	34lbs/16kg
POWER	120V - 240V 240W 50/60 Hz
LENGHT OF WIRES	33'/10m
TOUCH SCREEN	4"
CUSTOM SETTINGS	MIN/MAX
MOUNTING LOCATION	BUILDING WALL



LEMUR SLAB WALL 24'x14'-16" Kickboard

[7316 x 4268 - 407 Kickboard]

SPECIFICATION SHEET

SPECIFICATION	SLAB WALL 24' WIDE
(MAX) HEIGHT (in/mm)	184,74/4692
DEPTH BEHIND KICKBOARD (in/mm)	45.05/1144
WIDTH (in/mm)	282/7162
KICKBOARD HEIGHT (MEASURED FROM FLOOR)	16/406
HEIGHT OF THE MOVING SECTION (in/mm)	168/4267
NUMBER OF T-NUTS	1456
WEIGHT (Lbs./Kg)	2727/1237
OPERATING VOLTAGE (V)	120/240AC
OPERATING AMP (A)	3
CLIMBING PANELS MATERIAL	BALTIC BIRCH
STRUCTURAL FRAME MATERIAL	CARBON STEEL



LEMUR SLAB WALL 24'x14'-16" Kickboard

[7316 x 4268 - 407 Kickboard]