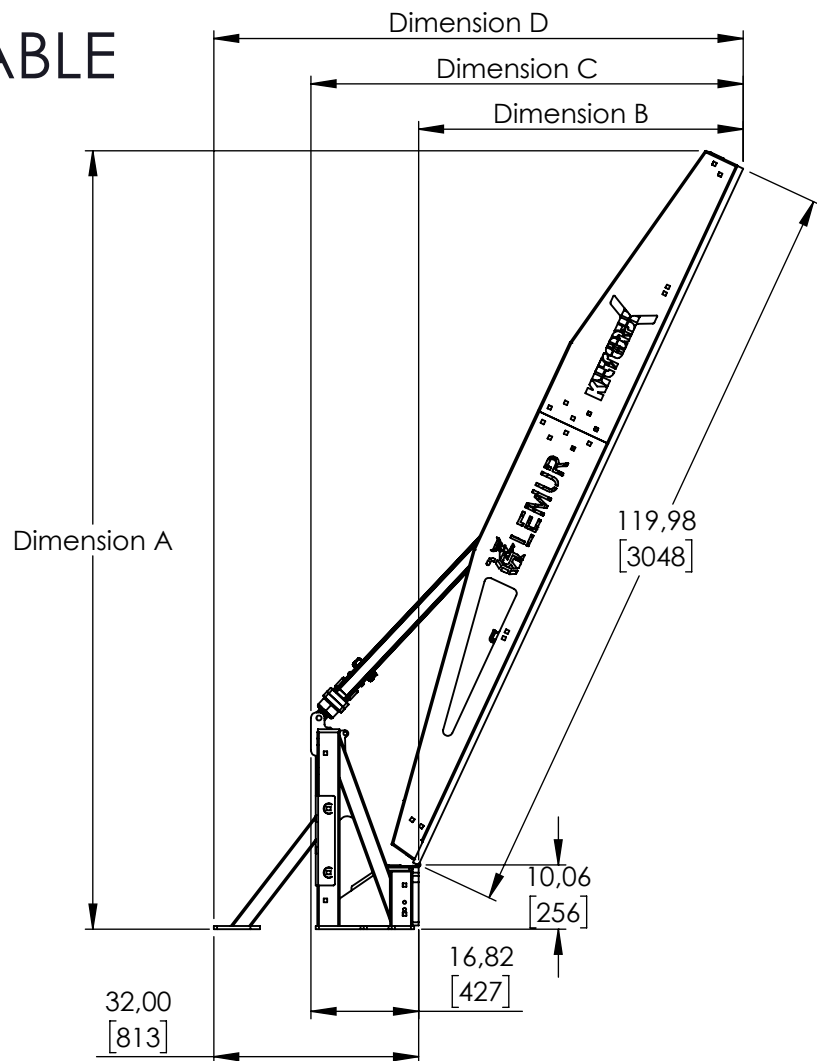


**LEMUR**

**COMPACT WALL 10'x10'-10" Kb**

[3048 x 3048 - 254 Kickboard]

# DIMENSION TABLE



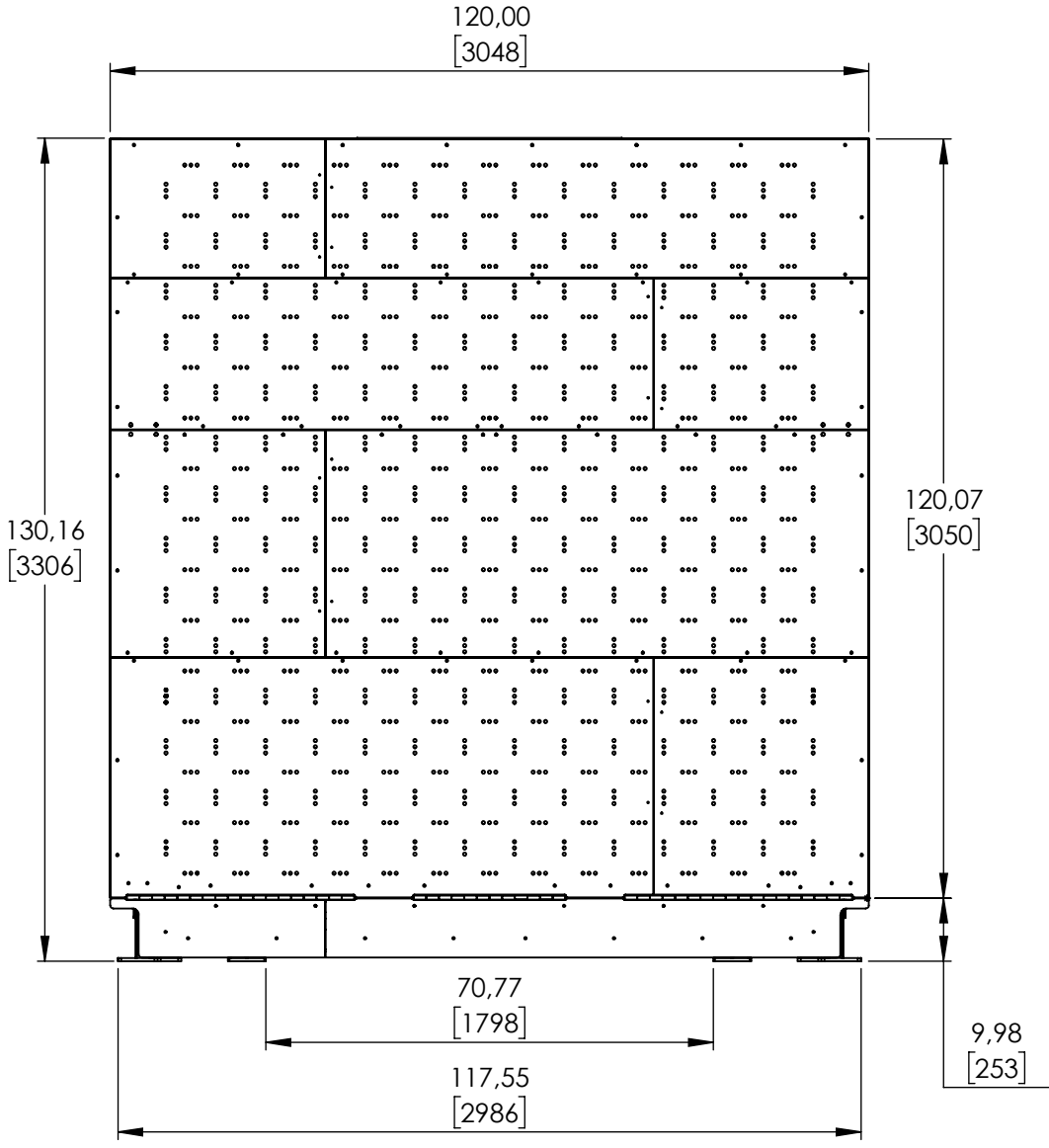
Angle	Dimension A IN (mm)		Dimension B IN (mm)		Dimension C IN (mm)		Dimension D IN (mm)	
0	130,16	3306	-	-	16,82	427	34,51	876
5	130,26	3308	10,46	265	27,28	692	44,97	1141
10	129,45	3288	20,84	529	37,66	956	55,35	1405
15	127,73	3244	31,06	789	47,48	1216	65,57	1665
20	125,12	3178	41,04	1042	57,86	1469	75,55	1918
25	121,63	3089	50,71	1288	67,53	1715	85,22	2164
30	117,29	2979	60,00	1524	76,82	1951	94,51	2400
35	112,13	2848	68,83	1748	85,65	2175	103,34	2624
40	106,20	2697	77,13	1959	93,95	2386	111,64	2835
45	99,54	2528	84,85	2155	101,67	2582	119,36	3031
50	92,19	2341	91,92	2335	108,74	2762	126,43	3211
55	84,22	2139	98,30	2497	115,12	2924	132,81	3373
60	75,69	1922	103,92	2639	120,74	3066	138,43	3515
65	66,65	1693	108,75	2762	125,57	3189	143,26	3638
70	57,19	1452	112,76	2864	129,58	3291	147,27	3740



# LEMUR

**COMPACT WALL 10'x10'-10" Kb**  
 [3048 x 3048 - 254 Kickboard]

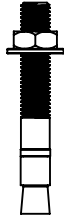
# FRONT VIEW



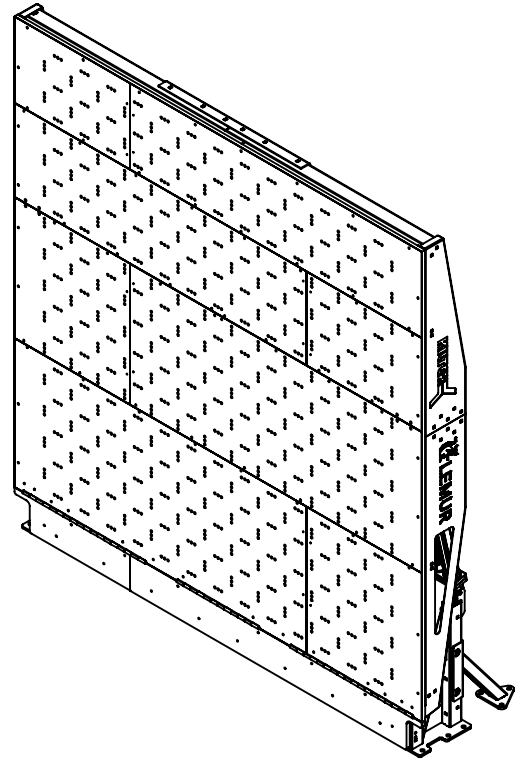
**COMPACT WALL 10'x10'-10" Kb**  
[3048 x 3048 - 254 Kickboard]

# FLOOR MOUNTING DIAGRAM

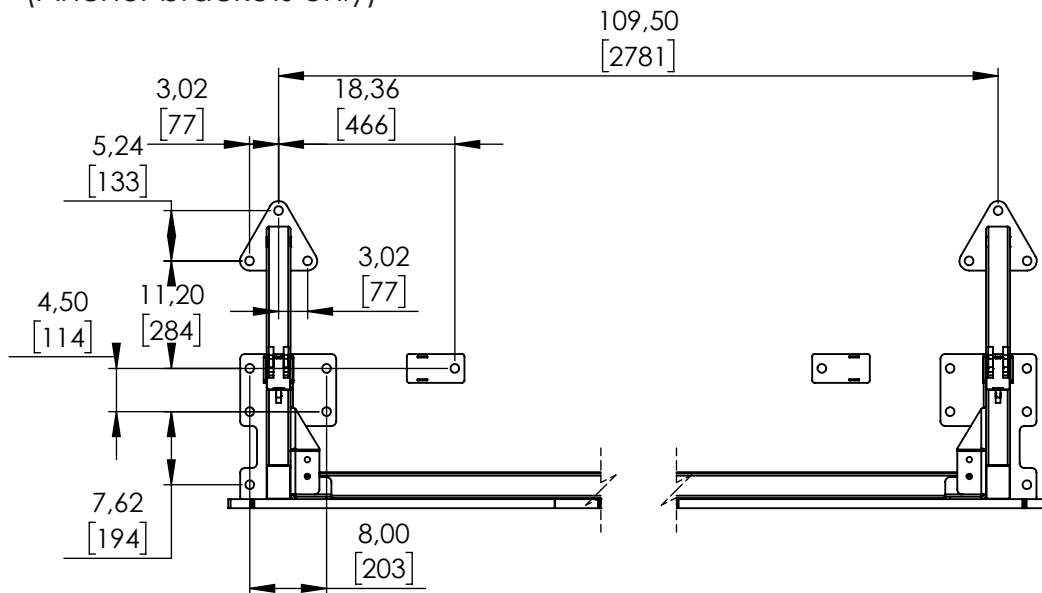
ISOMETRIC VIEW (HIDDEN KICKBOARD AND BRACES FOR BETTER VISUALISATION)



3/4" (19mm) Ø, 5 1/2 (140mm) Length  
Steel Concrete Expansion Anchor

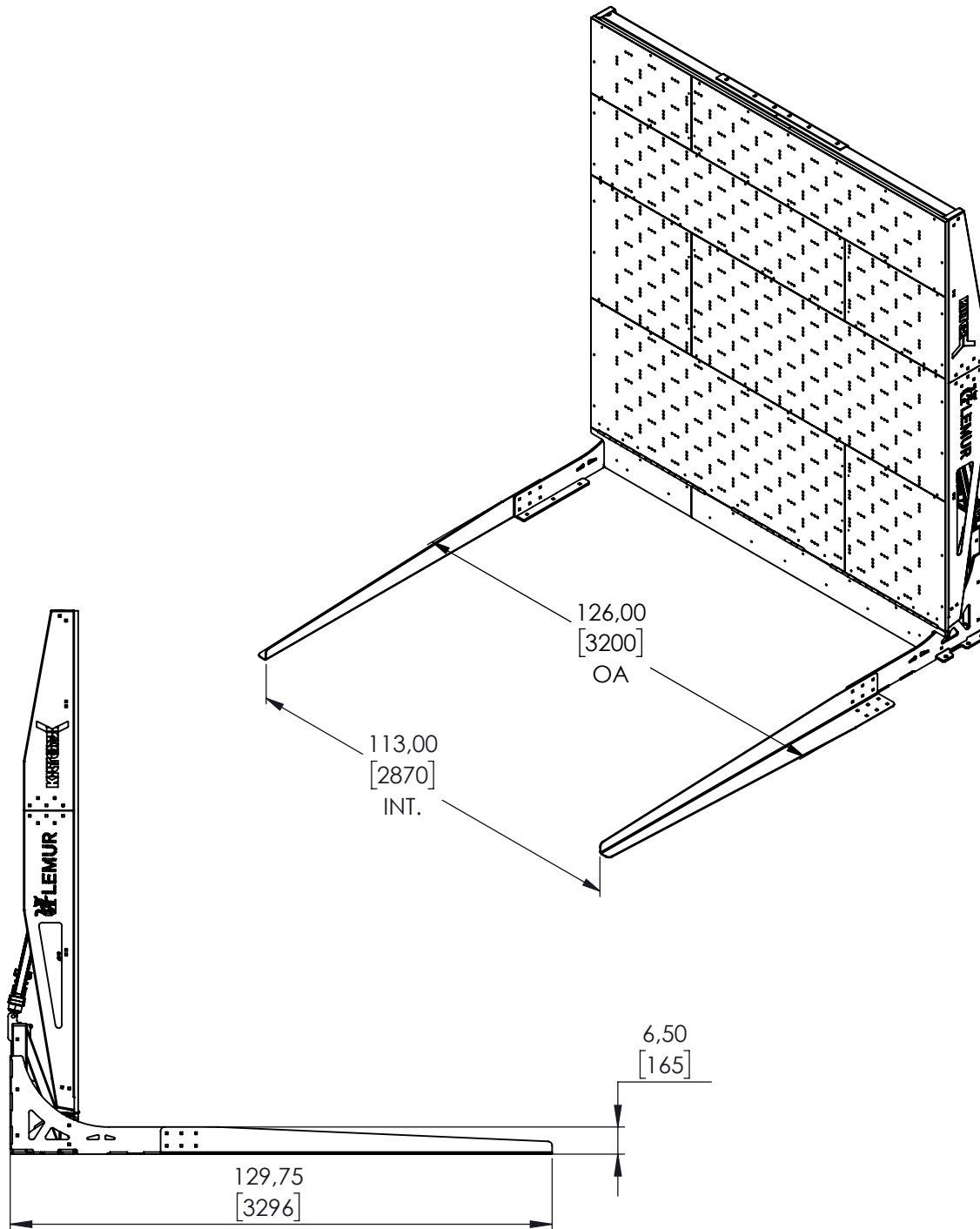


TOP VIEW  
(Anchor brackets only)



**COMPACT WALL 10'x10'-10" Kb**  
[3048 x 3048 - 254 Kickboard]

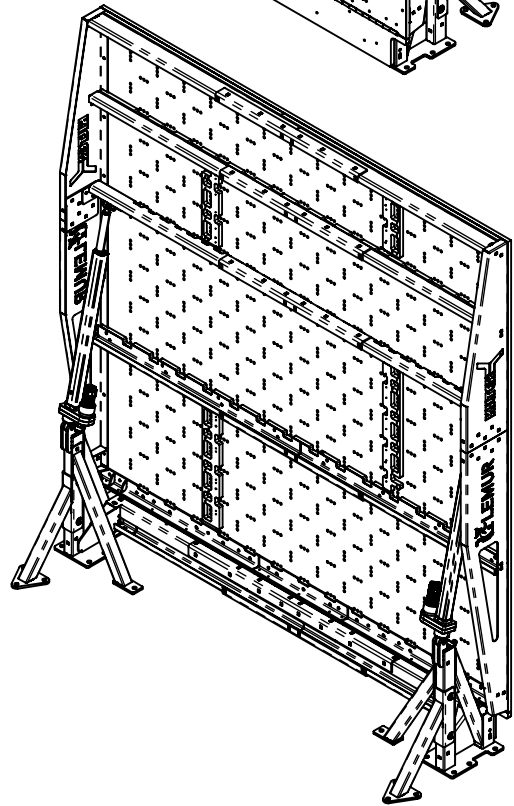
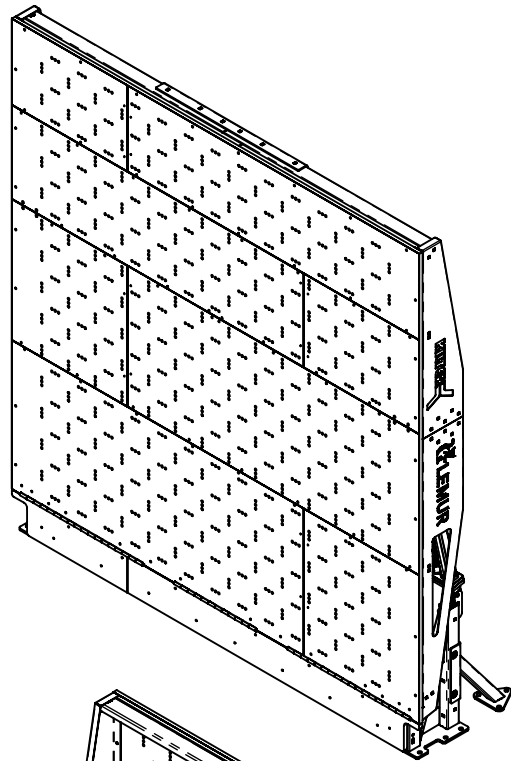
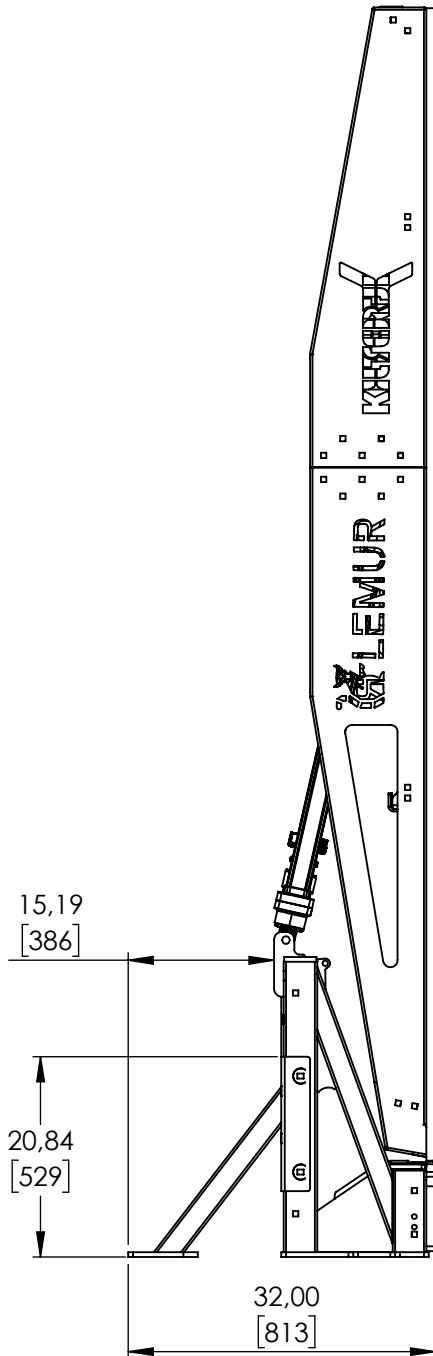
# LEG KIT OPTION AVAILABLE



# LEMUR

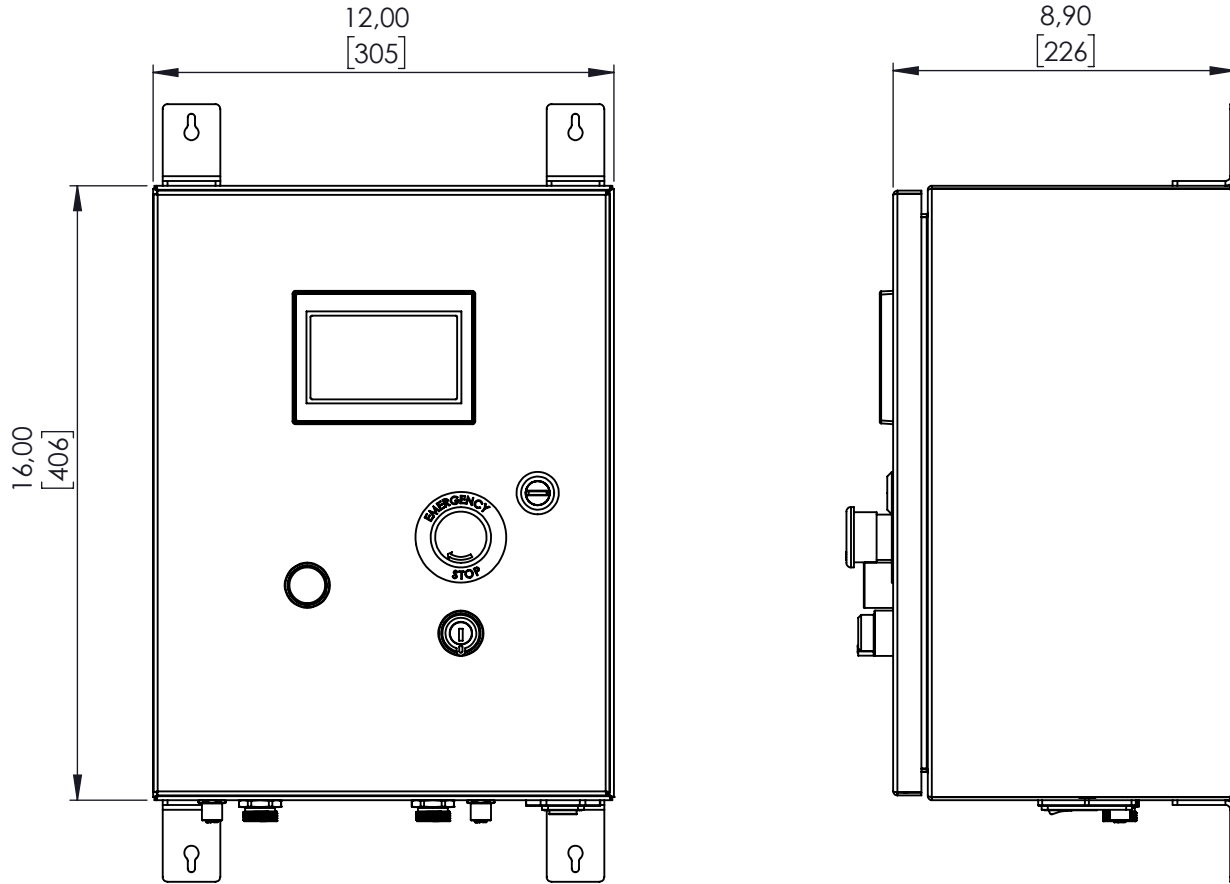
**COMPACT WALL 10'x10'-10" Kb**  
[3048 x 3048 - 254 Kickboard]

# REAR LEG OPTION AVAILABLE



**COMPACT WALL 10'x10'-10" Kb**  
[3048 x 3048 - 254 Kickboard]

# CONTROLLER BOX



SPECIFICATION	
SIZE	16X12X8.9/406X305X226
WEIGHT	34lbs/16kg
POWER	120V - 240V 240W 50/60 Hz
LENGHT OF WIRES	33'/10m
TOUCH SCREEN	4"
CUSTOM SETTINGS	MIN/MAX
MOUNTING LOCATION	BUILDING WALL



# LEMUR

**COMPACT WALL 10'x10'-10" Kb**  
 [3048 x 3048 - 254 Kickboard]

# SPECIFICATION SHEET

SPECIFICATION	10X10 10IN KICKBOARD
(MAX) HEIGHT (in/mm)	130 (3306)
DEPTH BEHIND KICKBOARD (in/mm)	16,82 (427) or 32,01 (813)
WIDTH (in/mm)	WALL: 119,75 (3042) BASE: 115,55 (2986)
KICKBOARD HEIGHT (MEASURED FROM FLOOR)	10 (254)
HEIGHT OF THE MOVING SECTION (in/mm)	120 (3049)
NUMBER OF T-NUTS (KILTERBOARD LAYOUT)	192
NUMBER OF T-NUTS (HOME WALL LAYOUT)	392
WEIGHT (Lbs./Kg)	1000/450
OPERATING VOLTAGE (V)	120/240 AC
OPERATING AMP (A)	3
CLIMBING PANELS MATERIAL	BALTIC BIRCH
STRUCTURAL FRAME MATERIAL	PLAIN CARBON STEEL



# LEMUR

**COMPACT WALL 10'x10'-10" Kb**  
[3048 x 3048 - 254 Kickboard]