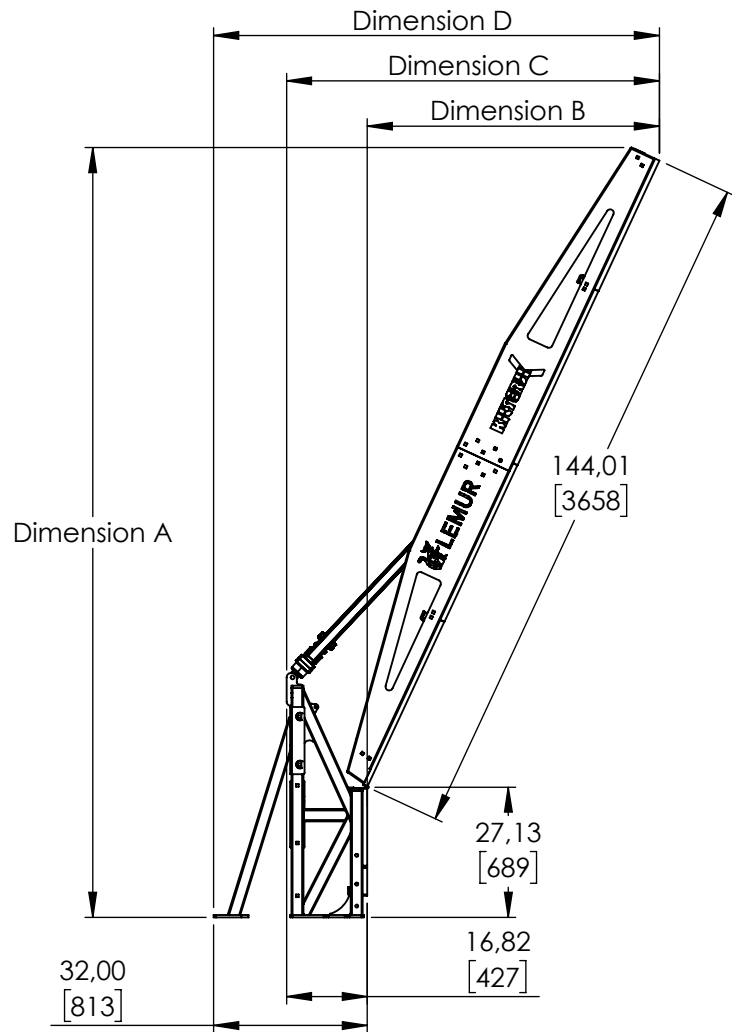


COMPACT WALL 10'x12'-27" Kb
[3048 x 3658 - 686 Kickboard]

DIMENSION TABLE



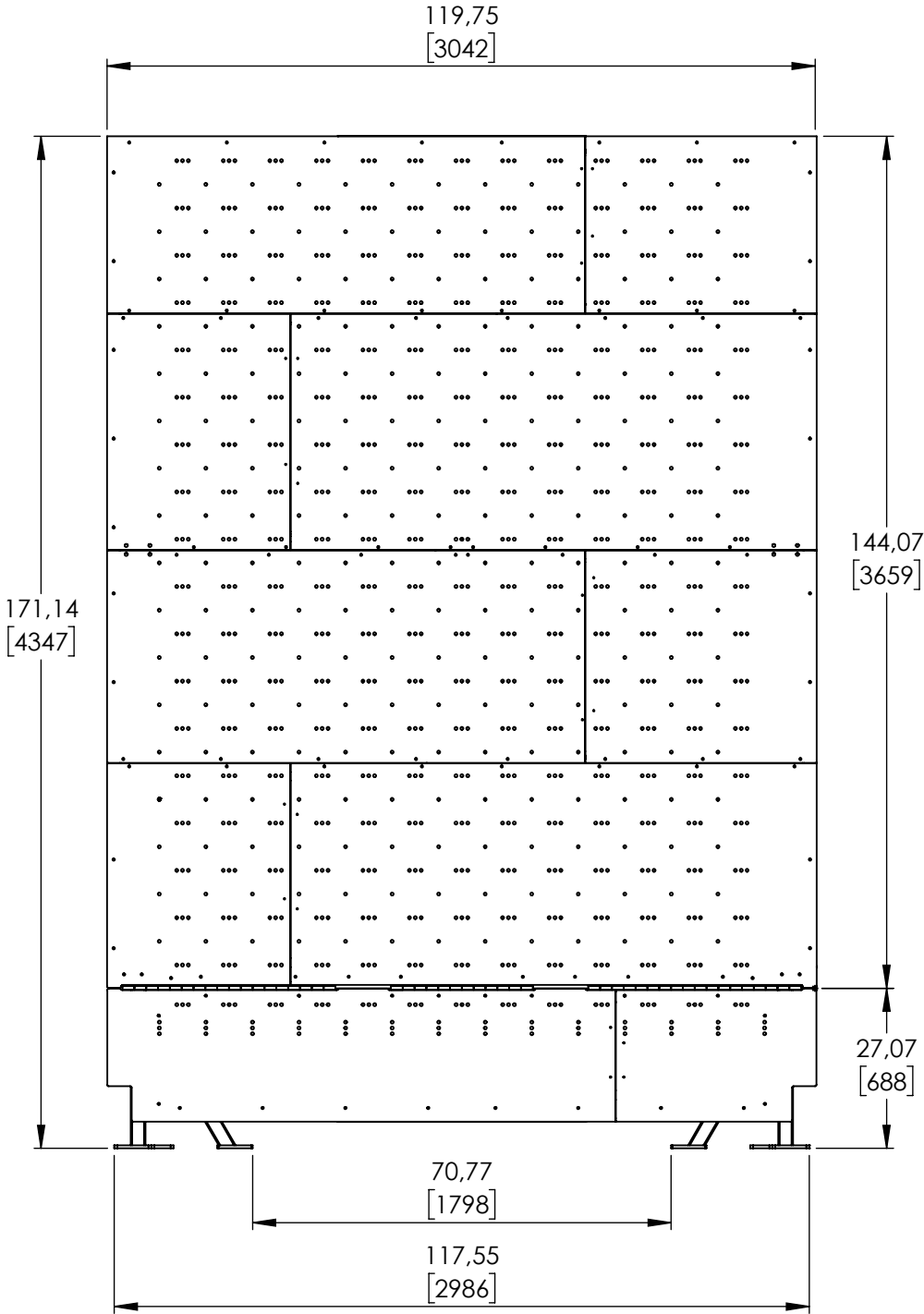
| Angle | Dimension A IN (mm) | | Dimension B IN (mm) | | Dimension C IN (mm) | | Dimension D IN (mm) | |
|-------|------------------------|------|------------------------|------|------------------------|------|------------------------|------|
| 0 | 171,21 | 4349 | - | - | 16,82 | 427 | 32,51 | 826 |
| 5 | 171,86 | 4365 | 12,55 | 319 | 29,37 | 746 | 45,06 | 1145 |
| 10 | 171,42 | 4354 | 25 | 635 | 41,82 | 1062 | 57,51 | 1461 |
| 15 | 169,88 | 4315 | 37,27 | 947 | 54,09 | 1374 | 69,78 | 1773 |
| 20 | 167,26 | 4248 | 49,25 | 1251 | 66,07 | 1678 | 81,76 | 2077 |
| 25 | 164,58 | 4155 | 60,86 | 1546 | 77,68 | 1973 | 93,37 | 2372 |
| 30 | 158,86 | 4035 | 72 | 1829 | 88,82 | 2256 | 104,51 | 2655 |
| 35 | 153,14 | 3889 | 82,6 | 2098 | 99,42 | 2525 | 115,11 | 2924 |
| 40 | 146,47 | 3720 | 92,57 | 2351 | 109,39 | 2778 | 125,08 | 3177 |
| 45 | 138,89 | 3527 | 101,83 | 2586 | 118,65 | 3013 | 134,34 | 3412 |
| 50 | 130,47 | 3314 | 110,32 | 2802 | 127,14 | 3229 | 142,83 | 3628 |
| 55 | 121,26 | 3080 | 117,97 | 2996 | 134,79 | 3423 | 150,48 | 3822 |
| 60 | 111,34 | 2828 | 124,72 | 3168 | 141,54 | 3595 | 157,23 | 3996 |
| 65 | 100,79 | 2560 | 130,52 | 3315 | 147,34 | 3742 | 163,03 | 4141 |
| 70 | 89,68 | 2278 | 135,33 | 3437 | 152,15 | 3864 | 167,84 | 4263 |



LEMUR

COMPACT WALL 10'x12'-27" Kb
[3048 x 3658 - 686 Kickboard]

FRONT VIEW

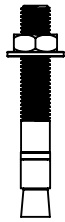


LEMUR

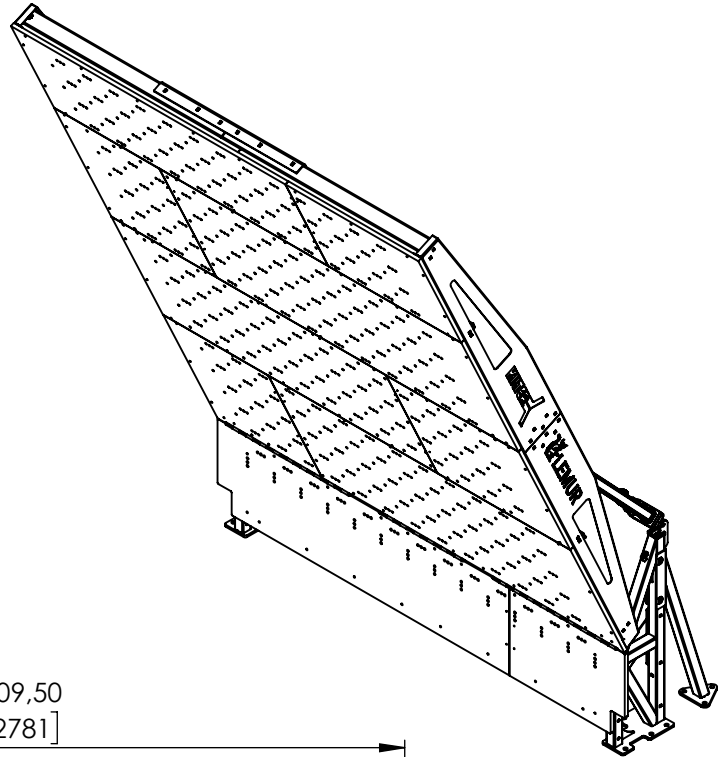
COMPACT WALL 10'x12'-27" Kb
[3048 x 3658 - 686 Kickboard]

FLOOR MOUNTING DIAGRAM

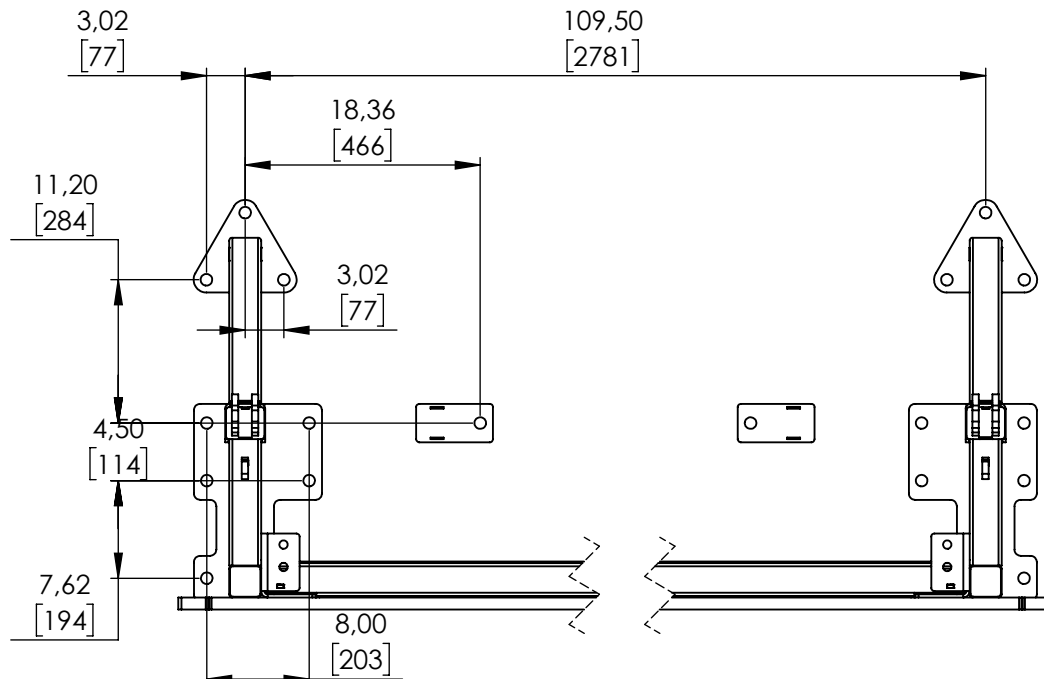
ISOMETRIC VIEW (HIDDEN KICKBOARD AND BRACES FOR BETTER VISUALISATION)



3/4" (19mm) Ø, 5 1/2 (140mm) Length
Steel Concrete Expansion Anchor

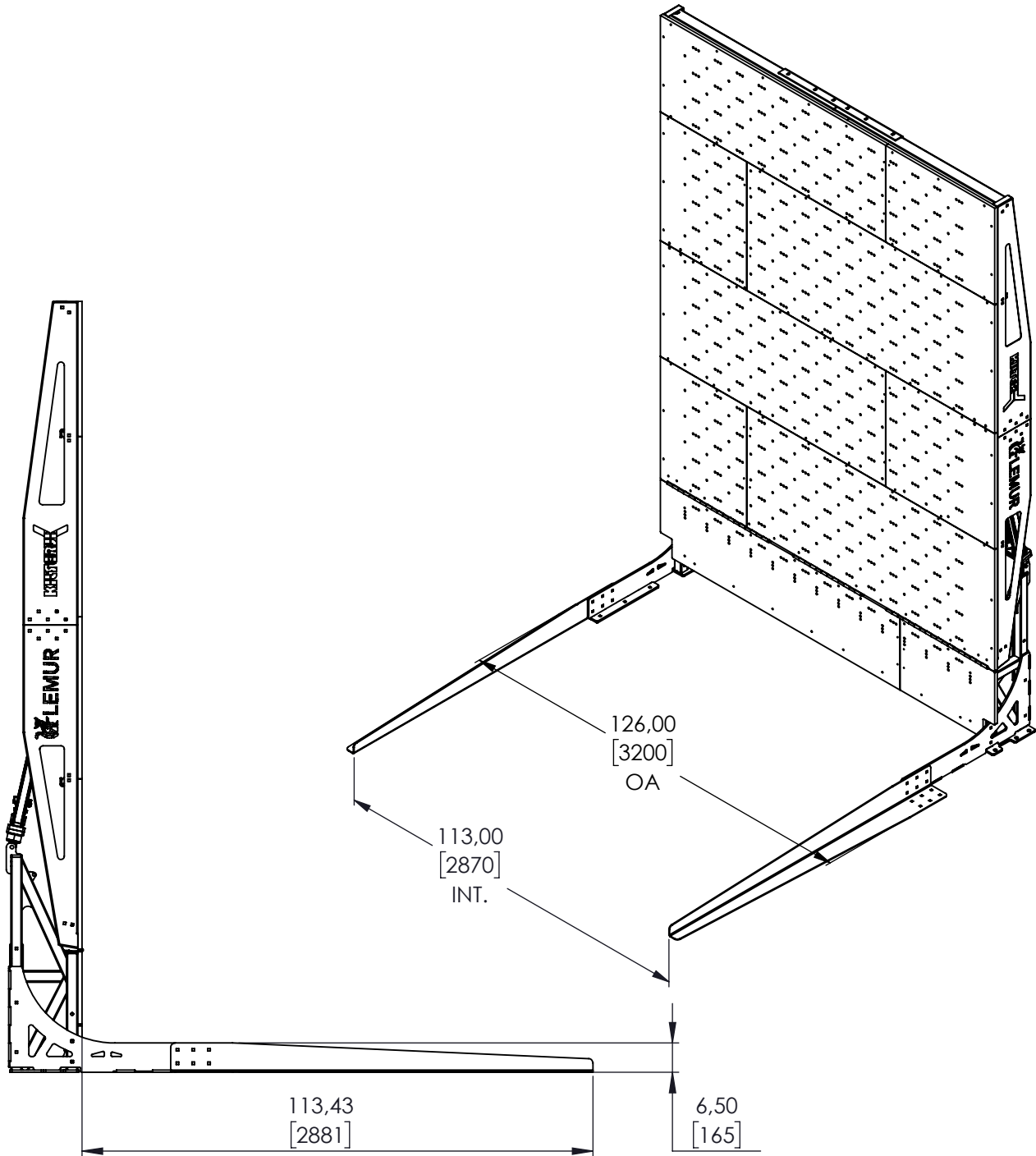


TOP VIEW
(Anchor brackets only)



COMPACT WALL 10'x12'-27" Kb
[3048 x 3658 - 686 Kickboard]

LEG KIT OPTION AVAILABLE

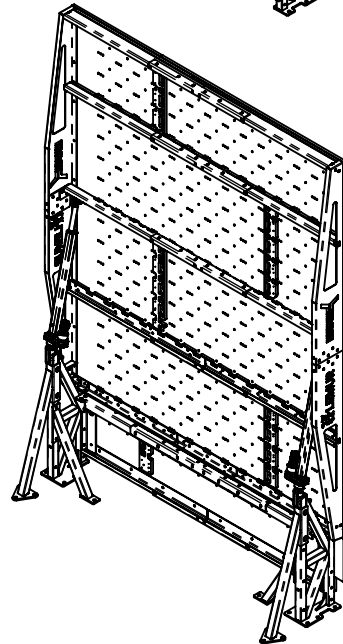
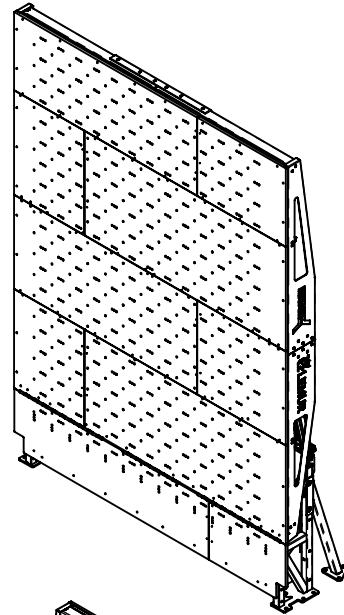
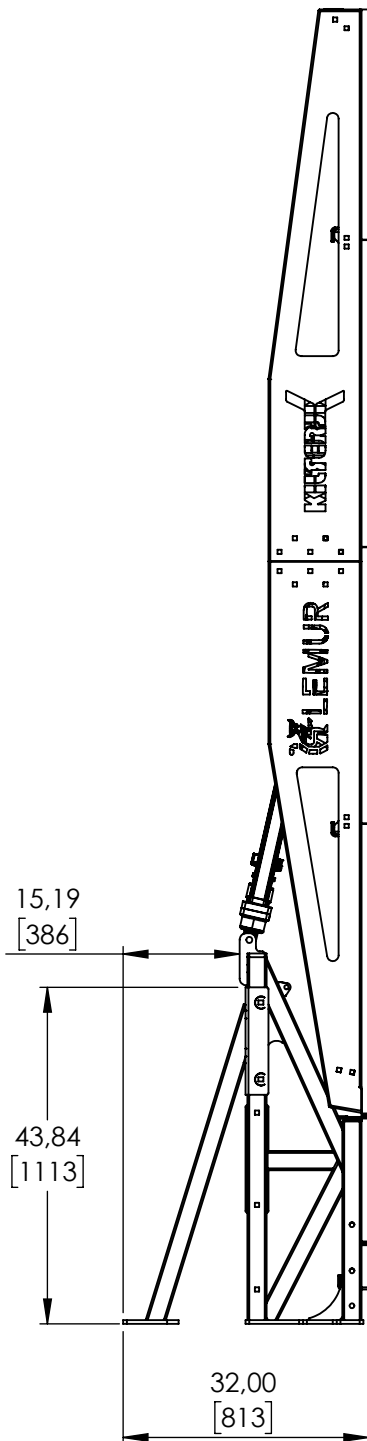


LEMUR

COMPACT WALL 10'x12'-27" Kb

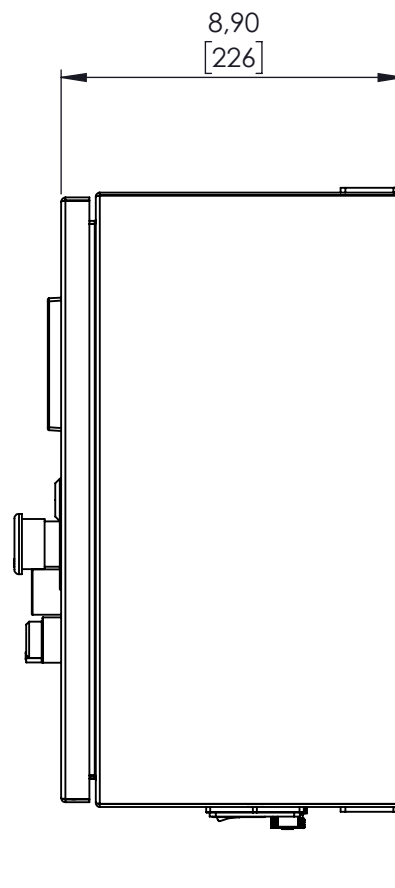
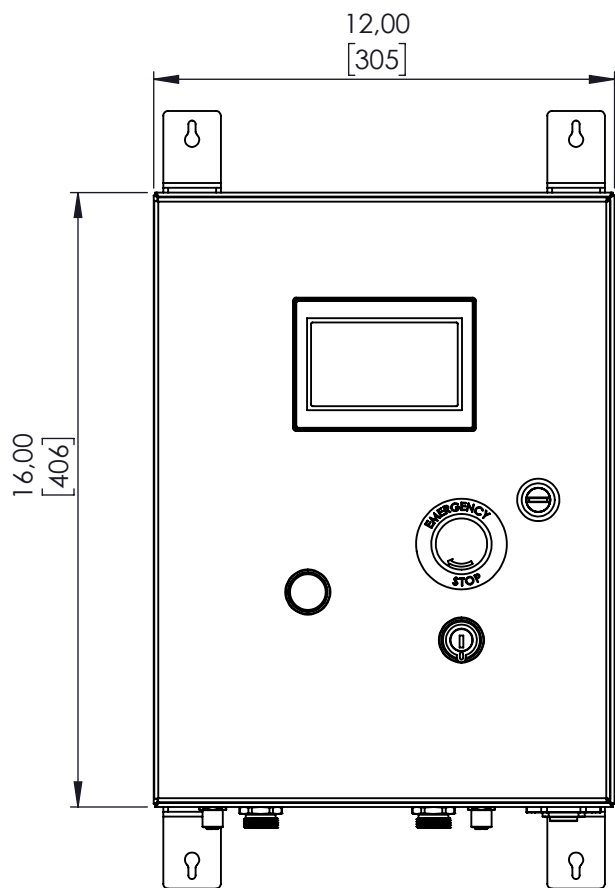
[3048 x 3658 - 686 Kickboard]

REAR LEG OPTION AVAILABLE



COMPACT WALL 10'x12'-27" Kb
[3048 x 3658 - 686 Kickboard]

CONTROLLER BOX



SPECIFICATION

| | |
|-------------------|---------------------------|
| SIZE | 16X12X8.9/406X305X226 |
| WEIGHT | 34lbs/16kg |
| POWER | 120V - 240V 240W 50/60 Hz |
| LENGHT OF WIRES | 33'/10m |
| TOUCH SCREEN | 4" |
| CUSTOM SETTINGS | MIN/MAX |
| MOUNTING LOCATION | BUILDING WALL |



COMPACT WALL 10'x12'-27" Kb
 [3048 x 3658 - 686 Kickboard]

SPECIFICATION SHEET

| | |
|---|--|
| SPECIFICATION | 10 X 12 LOW (27IN.) KICKBOARD |
| (MAX) HEIGHT (in/mm) | 171,14 (4347) |
| DEPTH BEHIND KICKBOARD (in/mm) | 16,82 (427) or 32,01 (813) |
| WIDTH (in/mm) | WALL: 119,75 (3042) BASE: 117,55 (2986) |
| KICKBOARD HEIGHT (MEASURED FROM FLOOR) | 27 (688) |
| HEIGHT OF THE MOVING SECTION (in/mm) | 144 (3659) |
| NUMBER OF T-NUTS (KILTERBOARD LAYOUT) | 266 |
| NUMBER OF T-NUTS (HOME WALL LAYOUT) | 500 |
| WEIGHT (Lbs./Kg) | 1100/500 |
| OPERATING VOLTAGE (V) | 120/240 AC |
| OPERATING AMP (A) | 3 |
| CLIMBING PANELS MATERIAL | Baltic Birch |
| STRUCTURAL FRAME MATERIAL | Plain Carbon Steel |



COMPACT WALL 10'x12'-27" Kb
[3048 x 3658 - 686 Kickboard]