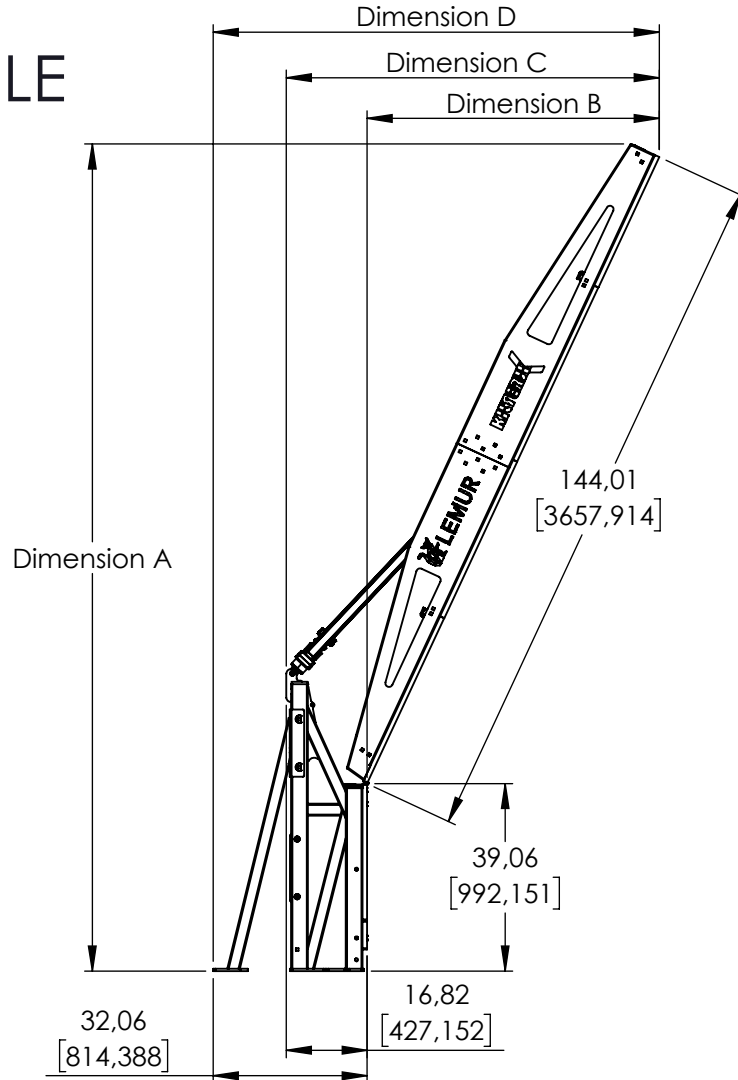


**LEMUR**

**COMPACT WALL 10'x12'-39" Kb**

[3048 x 3658 - 990 Kickboard]

# DIMENSION TABLE



Angle	Dimension A IN (mm)		Dimension B IN (mm)		Dimension C IN (mm)		Dimension D IN (mm)	
0	183,14	4653	-	-	16,82	427	32,51	826
5	183,09	4650	12,55	319	29,37	746	45,06	1145
10	182,00	4623	25	635	41,82	1062	57,51	1461
15	179,83	4567	37,27	947	54,09	1374	69,78	1773
20	176,59	4485	49,25	1251	66,07	1678	81,76	2077
25	172,30	4376	60,86	1546	77,68	1973	93,37	2372
30	167,00	4242	72	1829	88,82	2256	104,51	2655
35	160,72	4082	82,6	2098	99,42	2525	115,11	2924
40	153,52	3899	92,57	2351	109,39	2778	125,08	3177
45	145,45	3694	101,83	2586	118,65	3013	134,34	3412
50	136,56	3469	110,32	2802	127,14	3229	142,83	3628
55	126,94	3224	117,97	2996	134,79	3423	150,48	3822
60	116,64	2962	124,72	3168	141,54	3595	157,23	3996
65	105,76	2686	130,52	3315	147,34	3742	163,03	4141
70	94,37	2396	135,33	3437	152,15	3864	167,84	4263

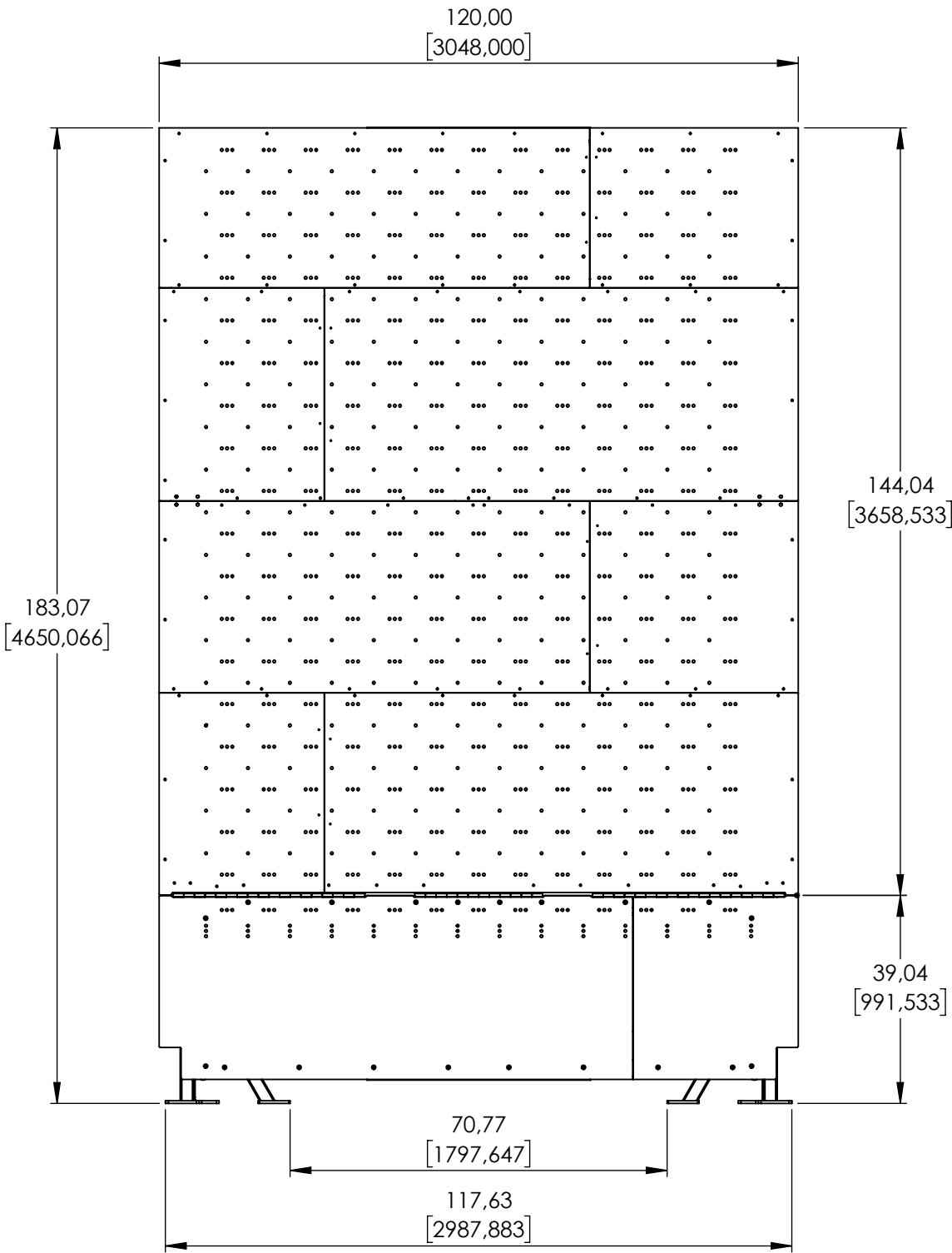


# LEMUR

**COMPACT WALL 10'x12'-39" Kb**

[3048 x 3658 - 990 Kickboard]

# FRONT VIEW

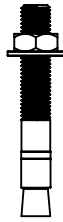
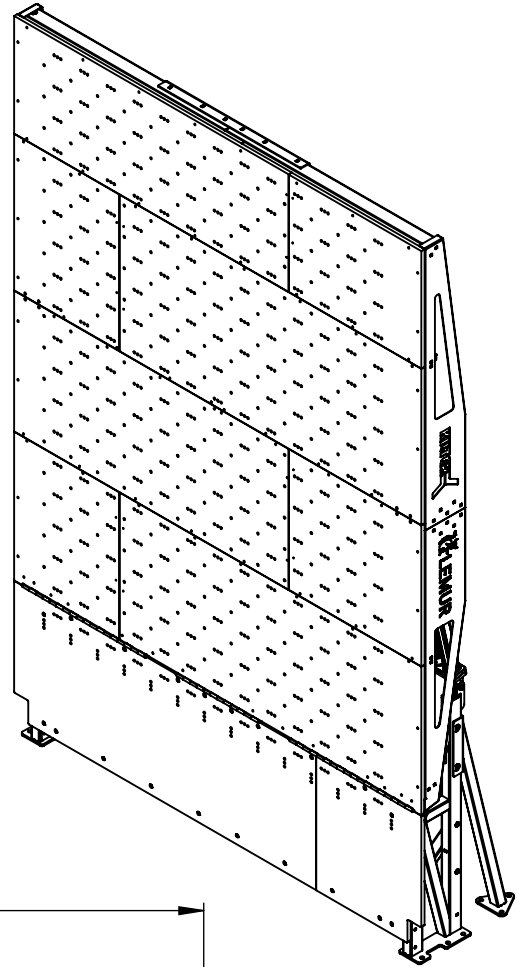


# LEMUR

**COMPACT WALL 10'x12'-39" Kb**  
[3048 x 3658 - 990 Kickboard]

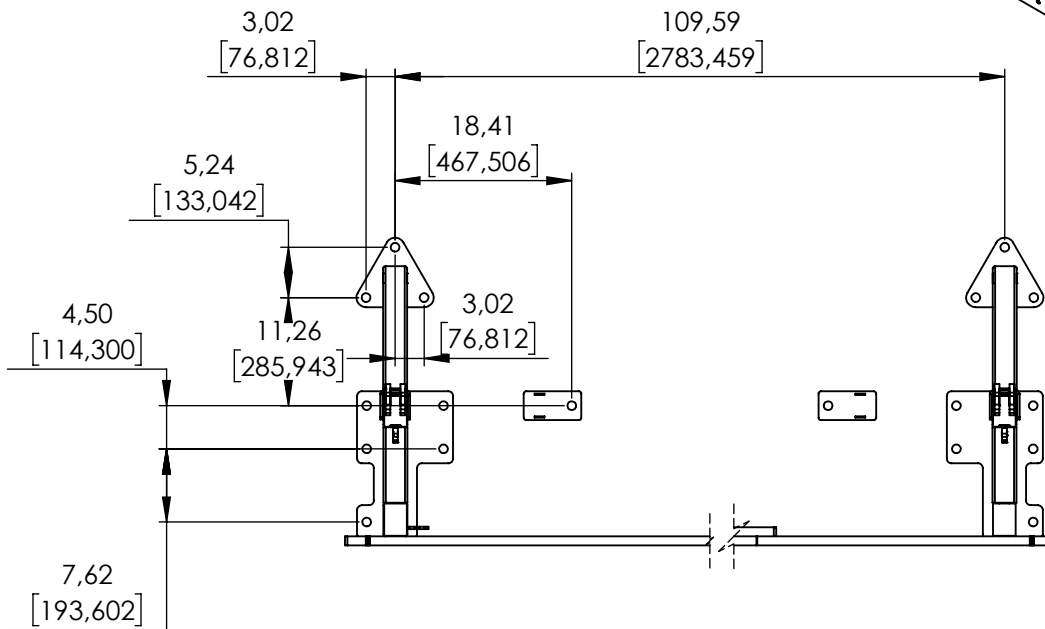
# FLOOR MOUNTING DIAGRAM

ISOMETRIC VIEW (HIDDEN KICKBOARD AND BRACES FOR BETTER VISUALISATION)



3/4" (19mm)Ø, 5 1/2 (140mm) Length  
Steel Concrete Expansion Anchor

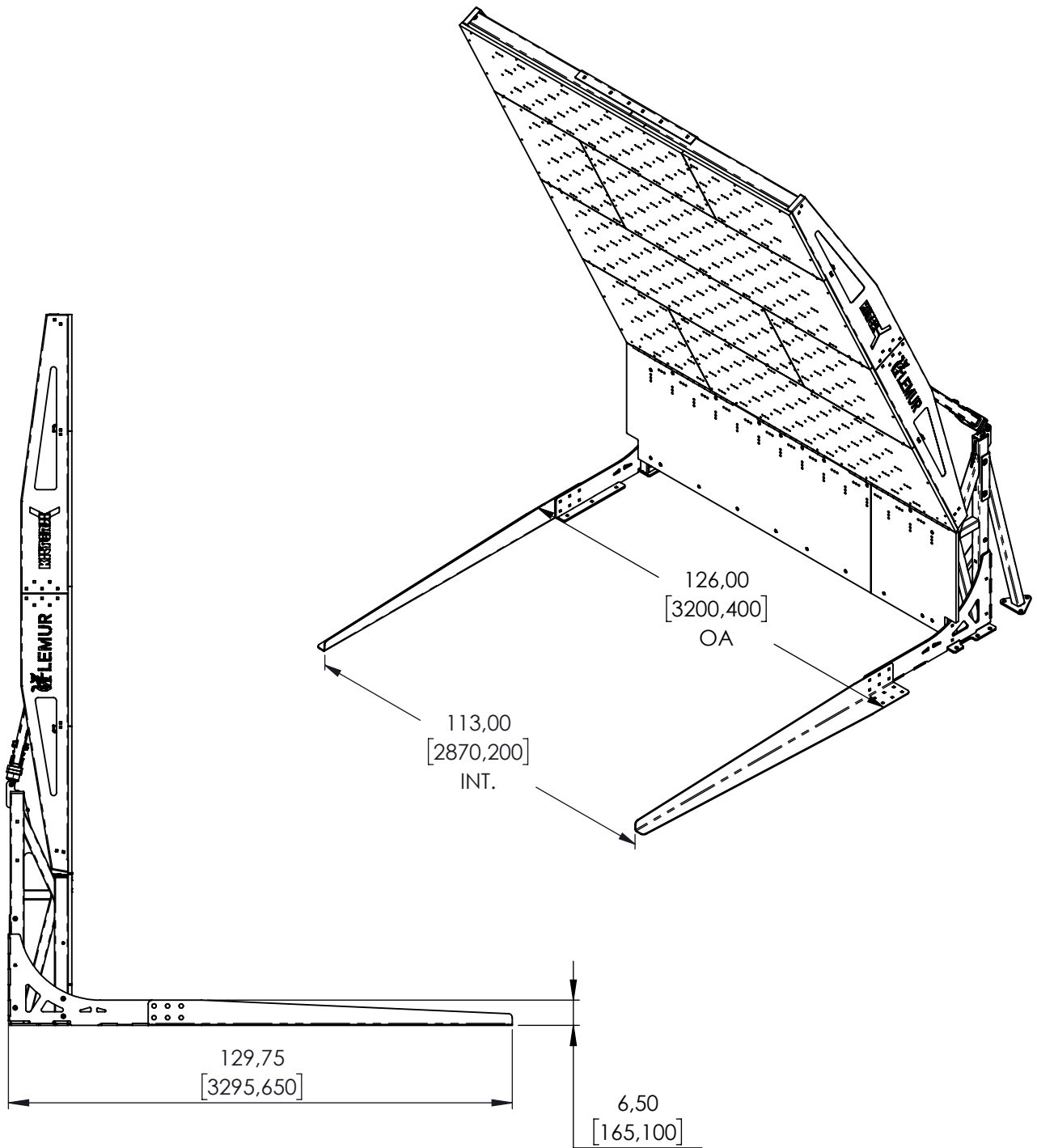
TOP VIEW  
(Anchor brackets only)



# LEMUR

**COMPACT WALL 10'x12'-39" Kb**  
[3048 x 3658 - 990 Kickboard]

# LEG KIT OPTION AVAILABLE

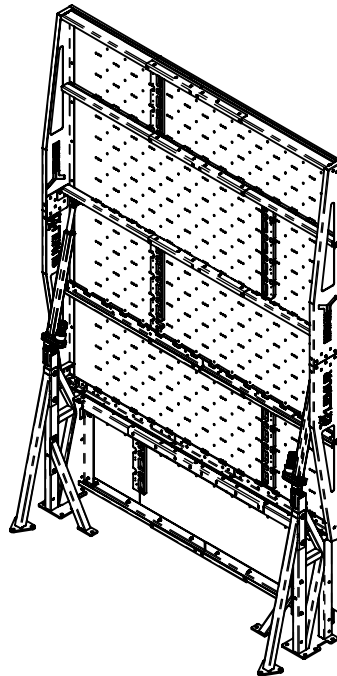
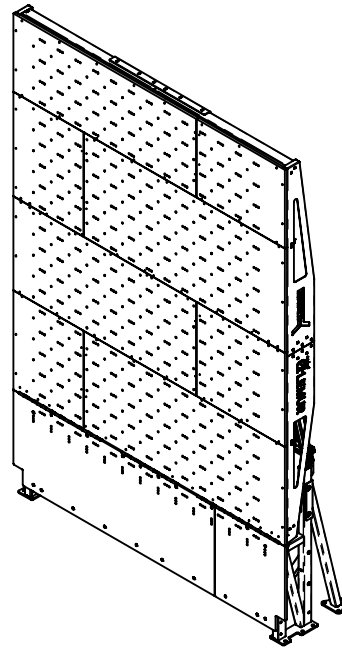
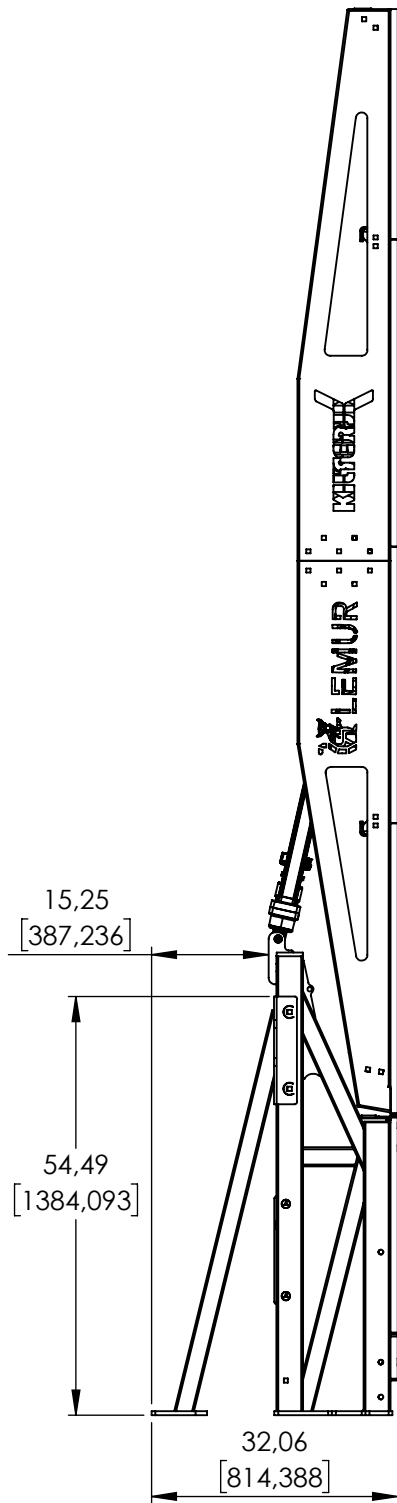


# LEMUR

**COMPACT WALL 10'x12'-39" Kb**

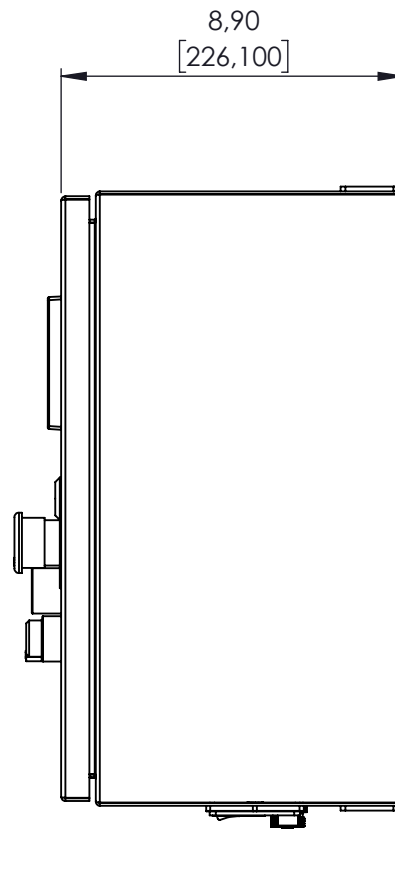
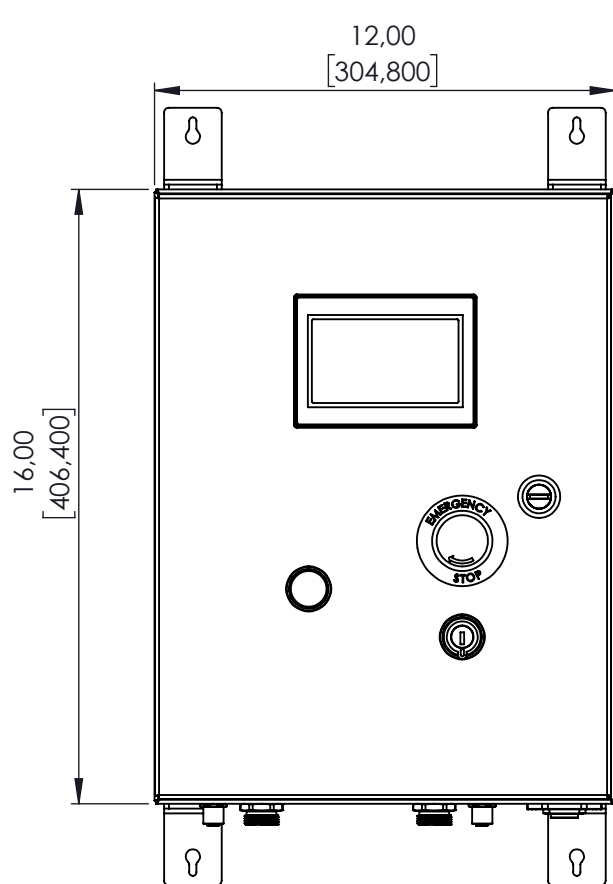
[3048 x 3658 - 990 Kickboard]

# REAR LEG OPTION AVAILABLE



**COMPACT WALL 10'x12'-39" Kb**  
[3048 x 3658 - 990 Kickboard]

# CONTROLLER BOX



## SPECIFICATION

SIZE	16X12X8.9/406X305X226
WEIGHT	34lbs/16kg
POWER	120V - 240V 240W 50/60 Hz
LENGHT OF WIRES	33'/10m
TOUCH SCREEN	4"
CUSTOM SETTINGS	MIN/MAX
MOUNTING LOCATION	BUILDING WALL



**COMPACT WALL 10'x12'-39" Kb**  
 [3048 x 3658 - 990 Kickboard]

# SPECIFICATION SHEET

SPECIFICATION	10 X 12 REG (39IN.) KICKBOARD
(MAX) HEIGHT (in/mm)	183 / 4650
DEPTH BEHIND KICKBOARD (in/mm)	16,82 (427) or 32,00 (813)
WIDTH (in/mm)	WALL: 120 (3048) BASE: 117,63 (2987)
KICKBOARD HEIGHT (MEASURED FROM FLOOR)	39 (990,6)
HEIGHT OF THE MOVING SECTION (in/mm)	144 (3657)
NUMBER OF T-NUTS (KILTERBOARD LAYOUT)	266
NUMBER OF T-NUTS (HOME WALL LAYOUT)	500
WEIGHT (Lbs./Kg)	1100/500
OPERATING VOLTAGE (V)	120/240 AC
OPERATING AMP (A)	3
CLIMBING PANELS MATERIAL	Baltic Birch
STRUCTURAL FRAME MATERIAL	Plain Carbon Steel



**COMPACT WALL 10'x12'-39" Kb**  
[3048 x 3658 - 990 Kickboard]