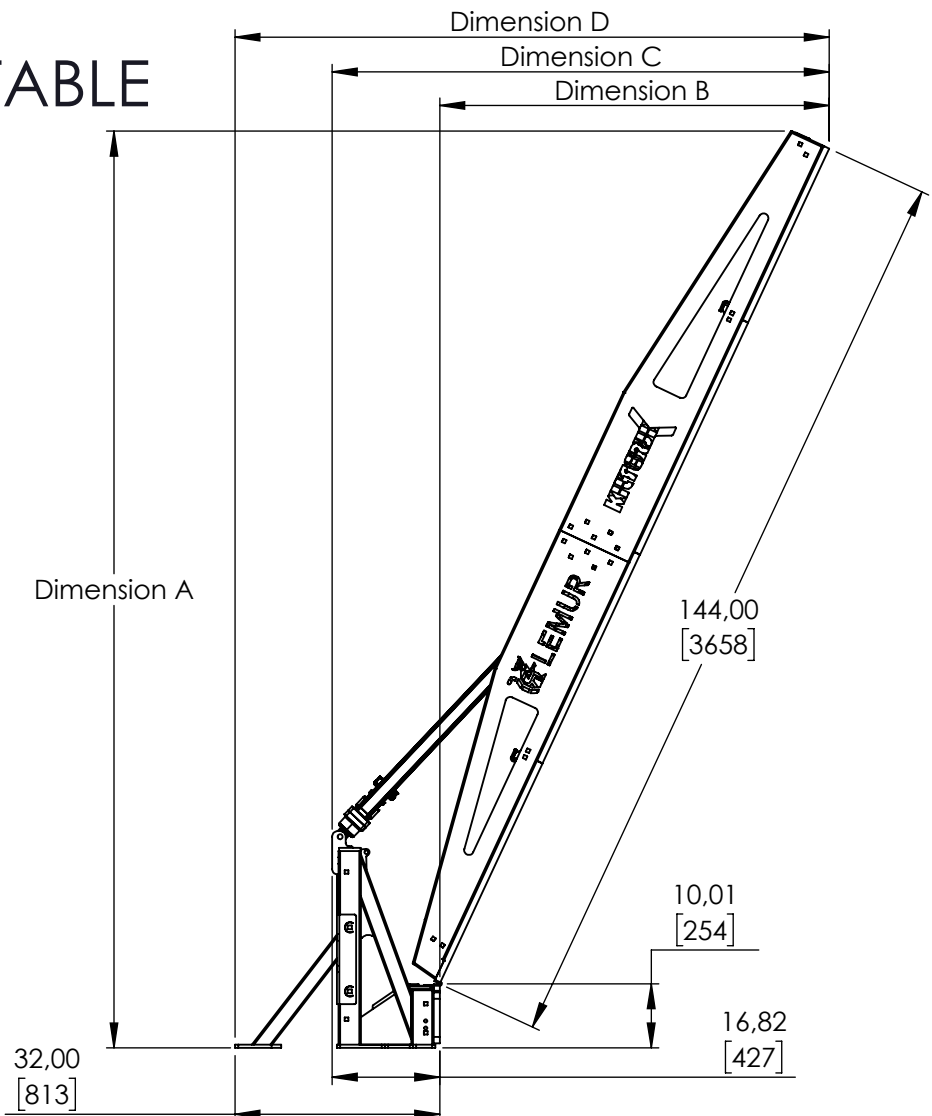


LEMUR

COMPACT WALL 12'x12'-10" Kb

[3657 x 3658 - 254 Kickboard]

DIMENSION TABLE



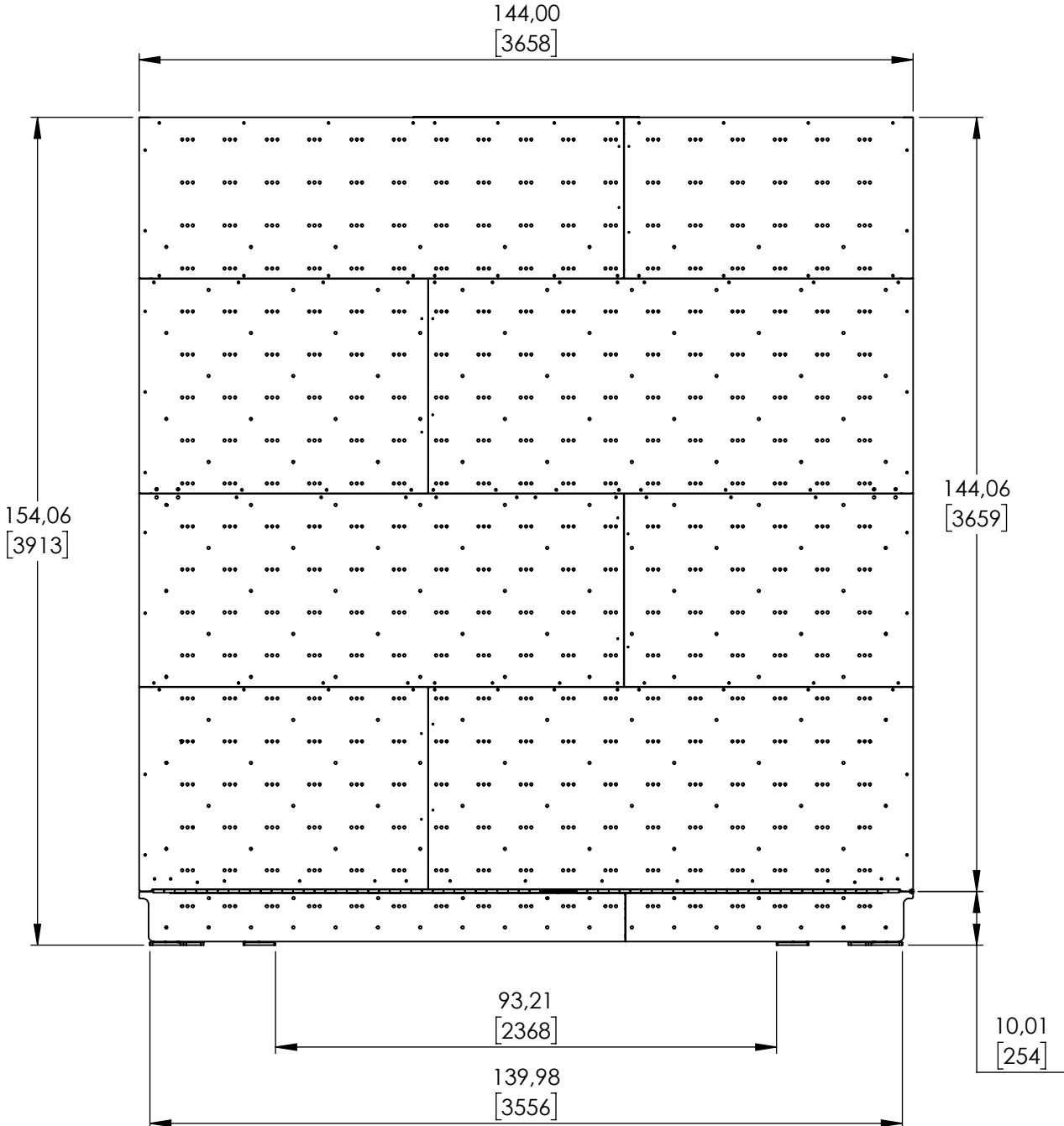
Angle	Dimension A IN (mm)		Dimension B IN (mm)		Dimension C IN (mm)		Dimension D IN (mm)	
0	154,21	4095	-	-	16,82	427	34,51	876
5	154,86	4111	12,55	319	29,37	746	47,06	1195
10	154,42	4100	25	635	41,82	1062	59,51	1511
15	152,88	4061	37,27	947	54,09	1374	71,78	1823
20	150,26	3994	49,25	1251	66,07	1678	83,76	2127
25	147,58	3901	60,86	1546	77,68	1973	95,37	2422
30	141,86	3781	72	1829	88,82	2256	106,51	2705
35	136,14	3635	82,6	2098	99,42	2525	117,11	2974
40	129,47	3466	92,57	2351	109,39	2778	127,08	3227
45	121,89	3273	101,83	2586	118,65	3013	136,34	3462
50	113,47	3060	110,32	2802	127,14	3229	144,83	3678
55	104,26	2826	117,97	2996	134,79	3423	152,48	3872
60	94,34	2574	124,72	3168	141,54	3595	159,23	4044
65	83,79	2306	130,52	3315	147,34	3742	165,03	4191
70	72,68	2024	135,33	3437	152,15	3864	169,84	4313



LEMUR

COMPACT WALL 12'x12'-10" Kb
 [3657 x 3658 - 254 Kickboard]

FRONT VIEW

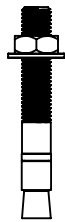


COMPACT WALL 12'x12'-10" Kb

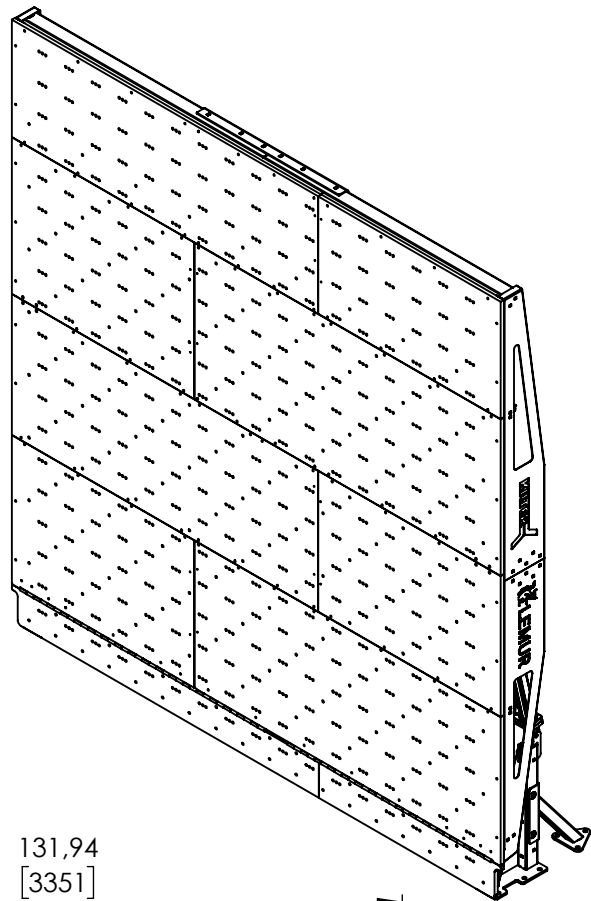
[3657 x 3658 - 254 Kickboard]

FLOOR MOUNTING DIAGRAM

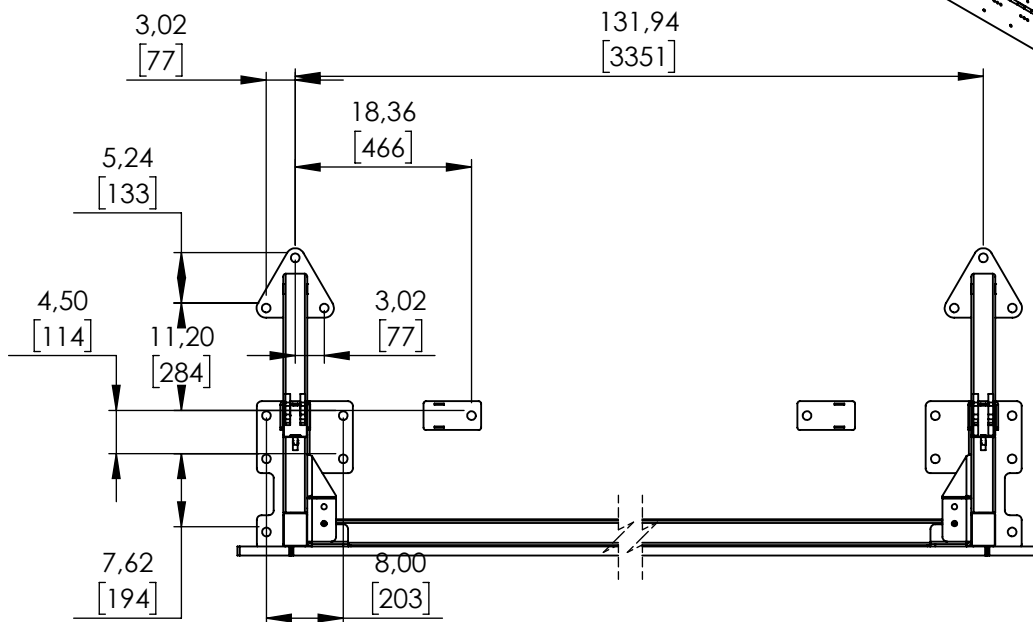
ISOMETRIC VIEW (HIDDEN KICKBOARD AND WOOD PANELS FOR BETTER VISUALISATION)



3/4" (19mm) Ø, 5 1/2 (140mm) Length
Steel Concrete Expansion Anchor

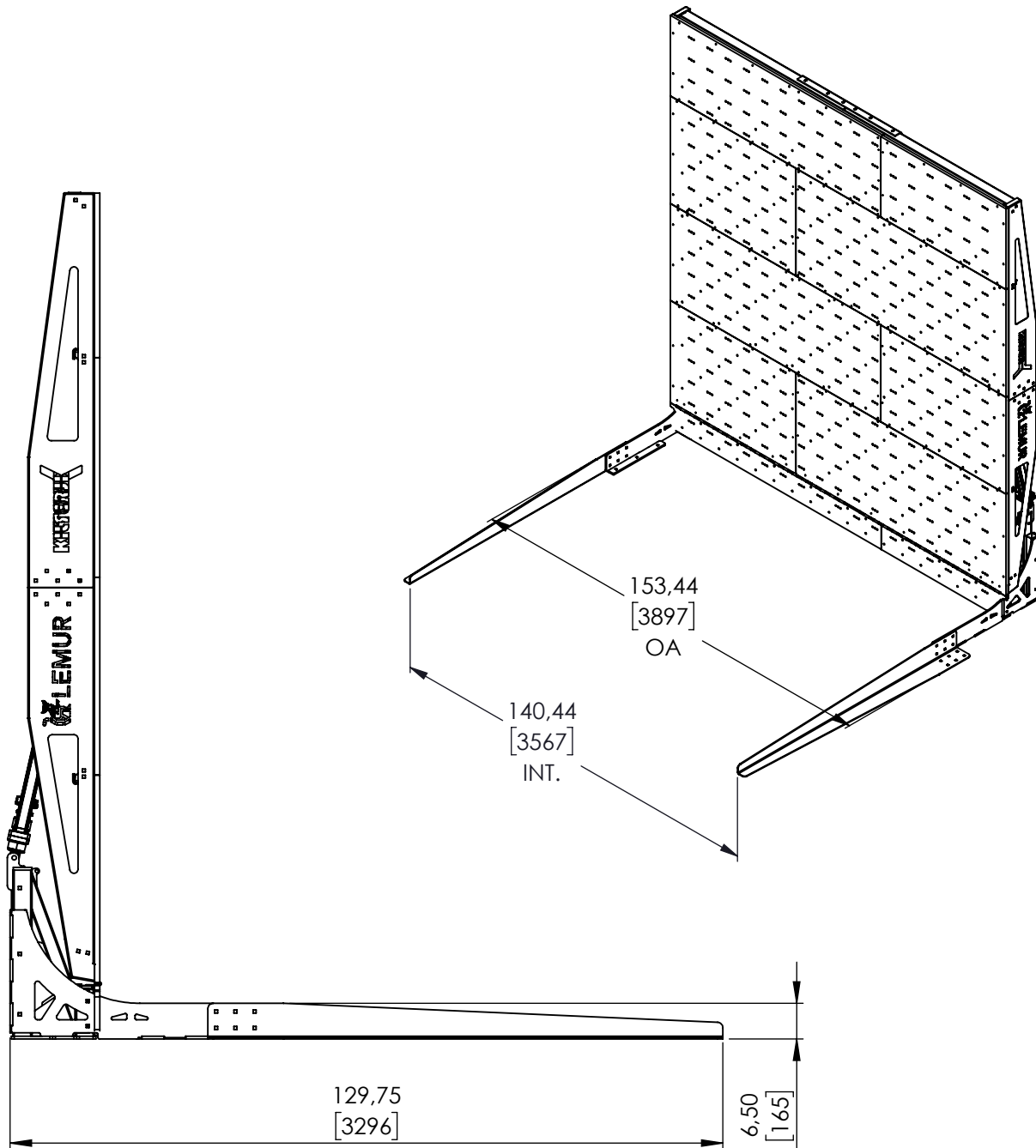


TOP VIEW
(Anchor brackets only)



COMPACT WALL 12'x12'-10" Kb
[3657 x 3658 - 254 Kickboard]

LEG KIT OPTION AVAILABLE

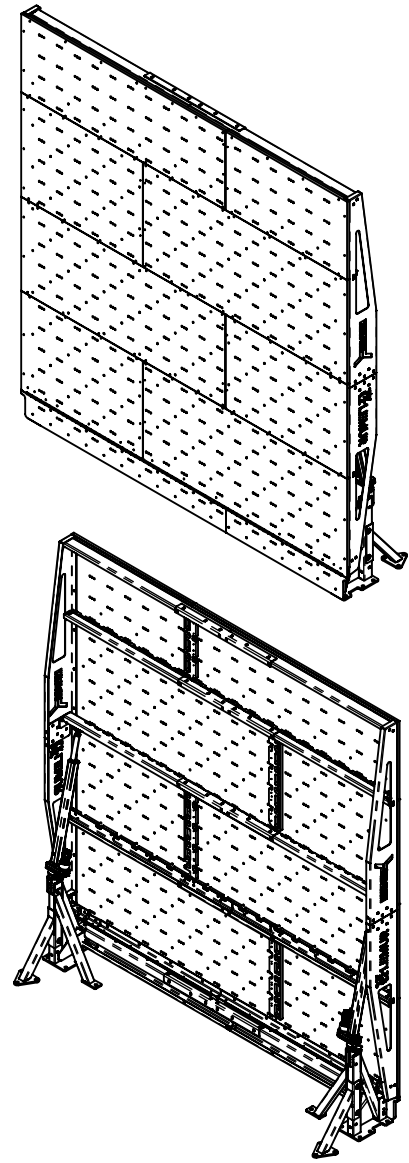
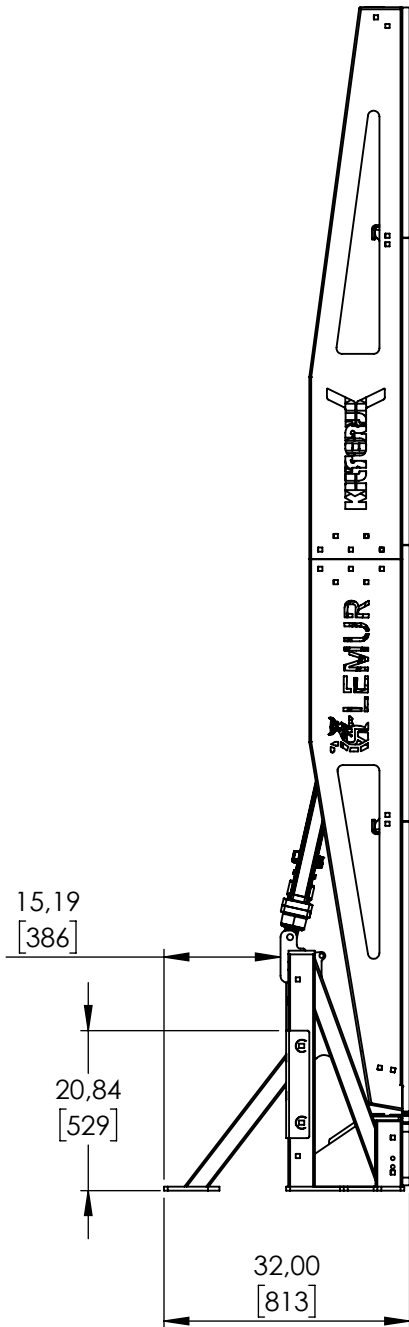


LEMUR

COMPACT WALL 12'x12'-10" Kb

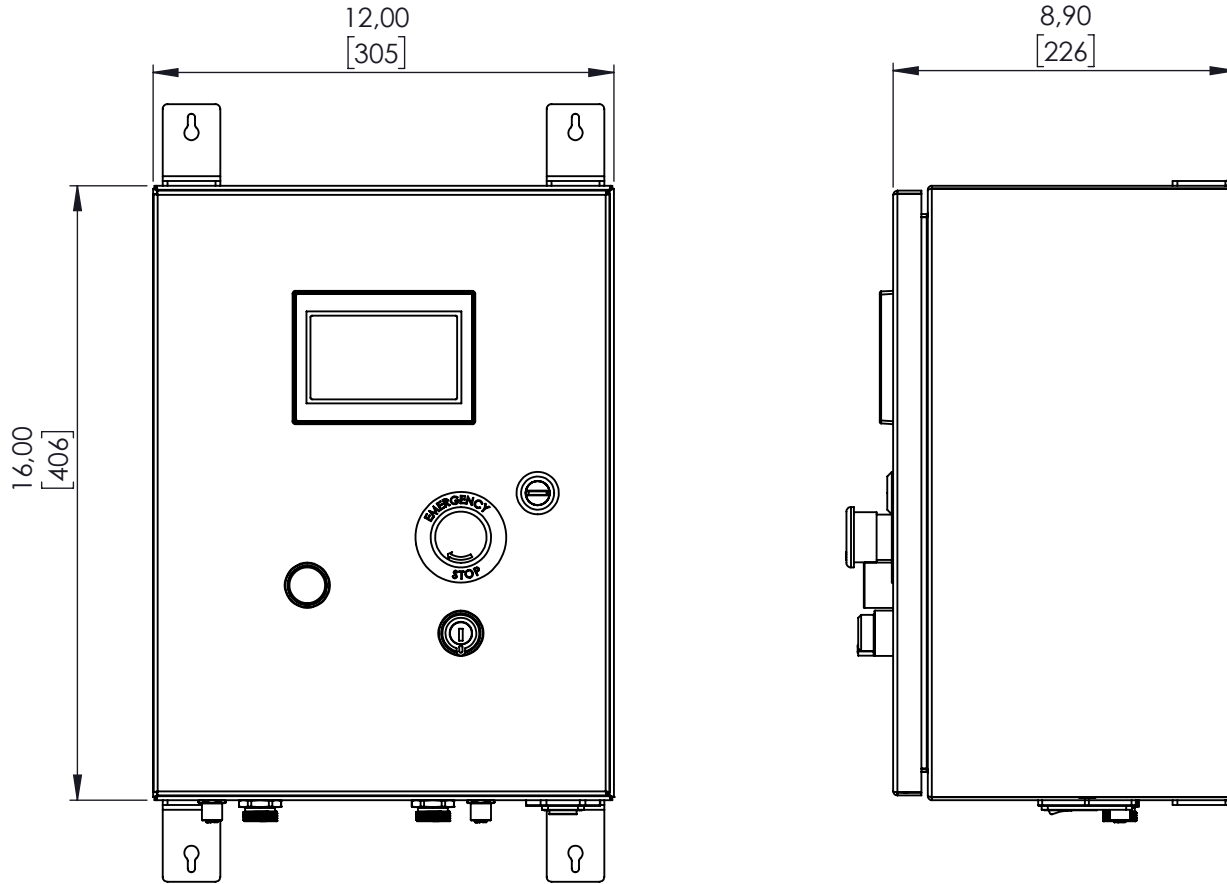
[3657 x 3658 - 254 Kickboard]

REAR LEG OPTION AVAILABLE



COMPACT WALL 12'x12'-10" Kb
[3657 x 3658 - 254 Kickboard]

CONTROLLER BOX



SPECIFICATION	
SIZE	16X12X8.9/406X305X226
WEIGHT	34lbs/16kg
POWER	120V - 240V 240W 50/60 Hz
LENGHT OF WIRES	33'/10m
TOUCH SCREEN	4"
CUSTOM SETTINGS	MIN/MAX
MOUNTING LOCATION	BUILDING WALL



LEMUR

COMPACT WALL 12'x12'-10" Kb
 [3657 x 3658 - 254 Kickboard]

SPECIFICATION SHEET

SPECIFICATION	12 X 12 NO (10IN.) KICKBOARD
(MAX) HEIGHT (in/mm)	154,06 (3913)
DEPTH BEHIND KICKBOARD (in/mm)	16,82 (427) or 32,01 (813)
WIDTH (in/mm)	WALL: 144,00 (3658) BASE: 139,98 (3556)
KICKBOARD HEIGHT (MEASURED FROM FLOOR)	10 (254)
HEIGHT OF THE MOVING SECTION (in/mm)	144 (3658)
NUMBER OF T-NUTS (KILTERBOARD LAYOUT)	323
NUMBER OF T-NUTS (HOME WALL LAYOUT)	611
WEIGHT (Lbs./Kg)	1000/450
OPERATING VOLTAGE (V)	120/240 AC
OPERATING AMP (A)	3
CLIMBING PANELS MATERIAL	Baltic Birch
STRUCTURAL FRAME MATERIAL	Plain Carbon Steel



COMPACT WALL 12'x12'-10" Kb
[3657 x 3658 - 254 Kickboard]