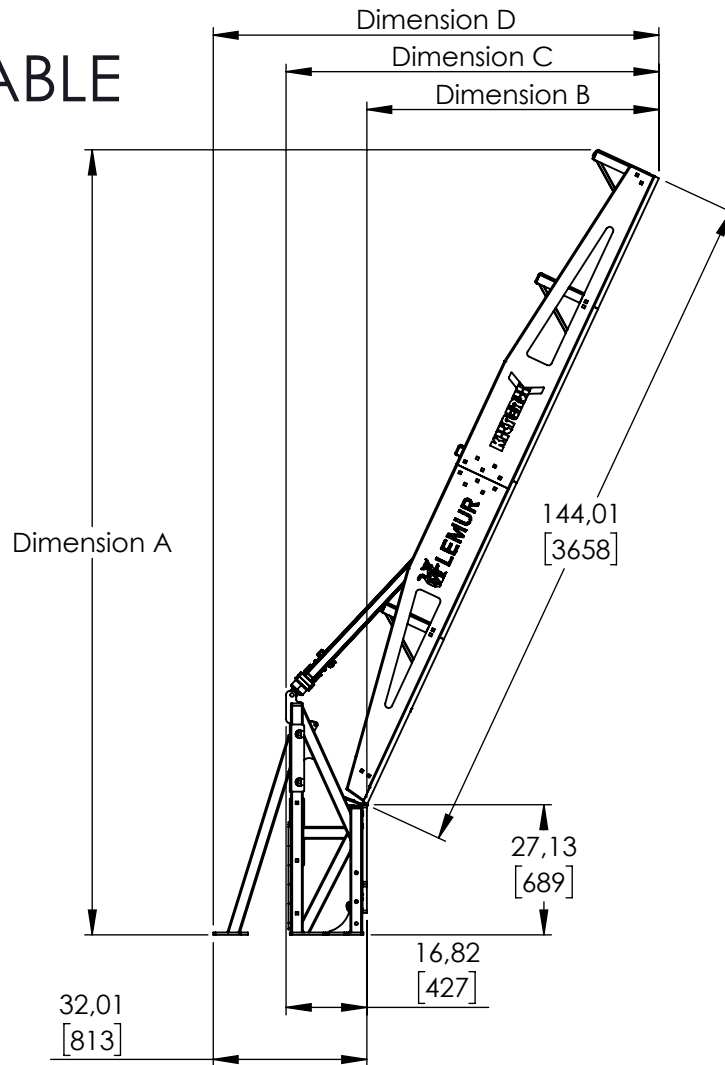


LEMUR

COMPACT WALL 16'x12'-27" Kb

[4877 x 3658 - 686 Kickboard]

DIMENSION TABLE



Angle	Dimension A IN (mm)		Dimension B IN (mm)		Dimension C IN (mm)		Dimension D IN (mm)	
0	171,21	4349	-	-	16,82	427	32,51	826
5	171,86	4365	12,55	319	29,37	746	45,06	1145
10	171,42	4354	25	635	41,82	1062	57,51	1461
15	169,88	4315	37,27	947	54,09	1374	69,78	1773
20	167,26	4248	49,25	1251	66,07	1678	81,76	2077
25	164,58	4155	60,86	1546	77,68	1973	93,37	2372
30	158,86	4035	72	1829	88,82	2256	104,51	2655
35	153,14	3889	82,6	2098	99,42	2525	115,11	2924
40	146,47	3720	92,57	2351	109,39	2778	125,08	3177
45	138,89	3527	101,83	2586	118,65	3013	134,34	3412
50	130,47	3314	110,32	2802	127,14	3229	142,83	3628
55	121,26	3080	117,97	2996	134,79	3423	150,48	3822
60	111,34	2828	124,72	3168	141,54	3595	157,23	3996
65	100,79	2560	130,52	3315	147,34	3742	163,03	4141
70	89,68	2278	135,33	3437	152,15	3864	167,84	4263

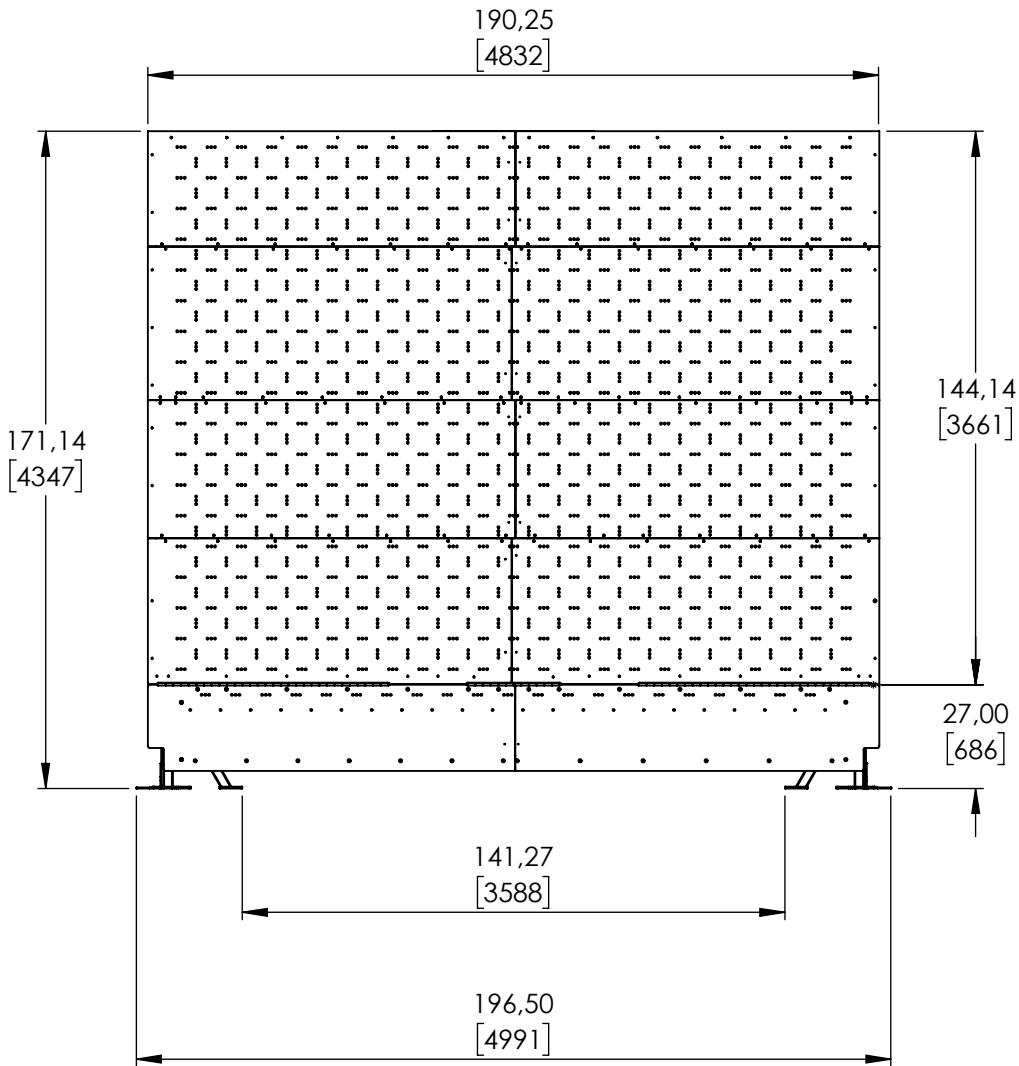


LEMUR

COMPACT WALL 16'x12'-27" Kb

[4877 x 3658 - 686 Kickboard]

FRONT VIEW



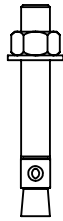
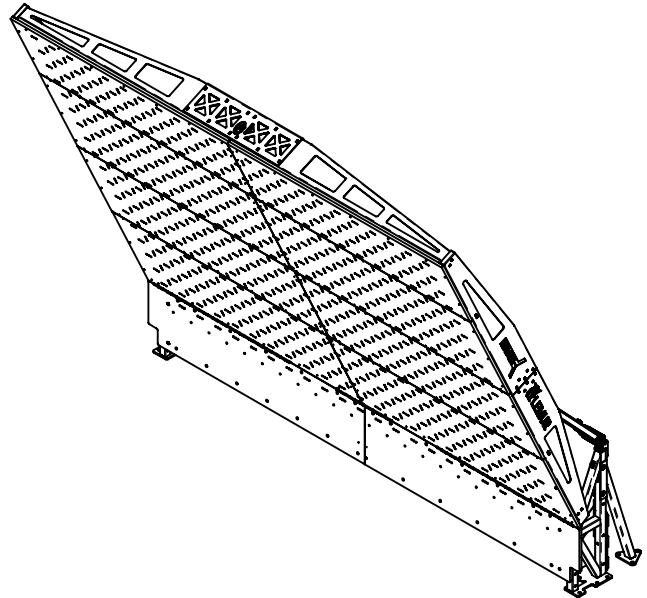
LEMUR

COMPACT WALL 16'x12'-27" Kb

[4877 x 3658 - 686 Kickboard]

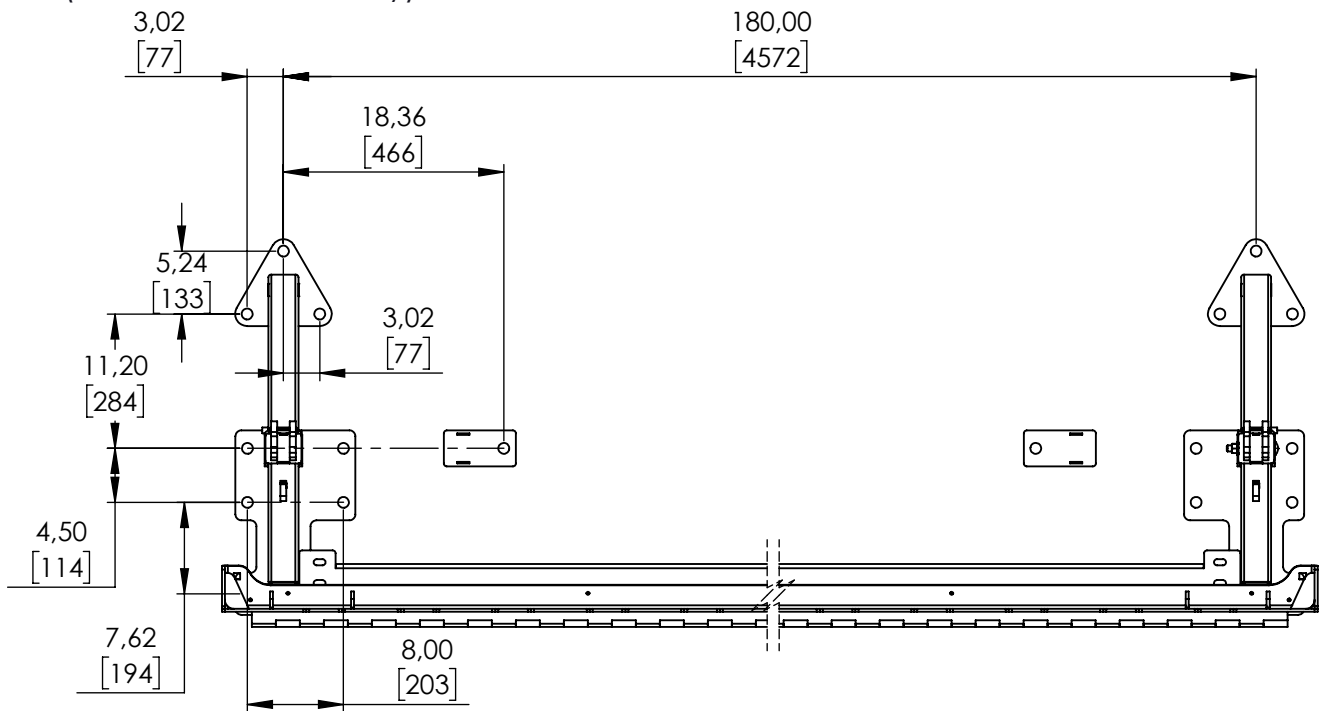
FLOOR MOUNTING DIAGRAM (WITH REAR LEG)

ISOMETRIC VIEW (HIDDEN KICKBOARD
AND BRACES FOR BETTER VISUALISATION)



3/4" (19mm) Ø, 5 1/2 (140mm) Length
Steel Concrete Expansion Anchor

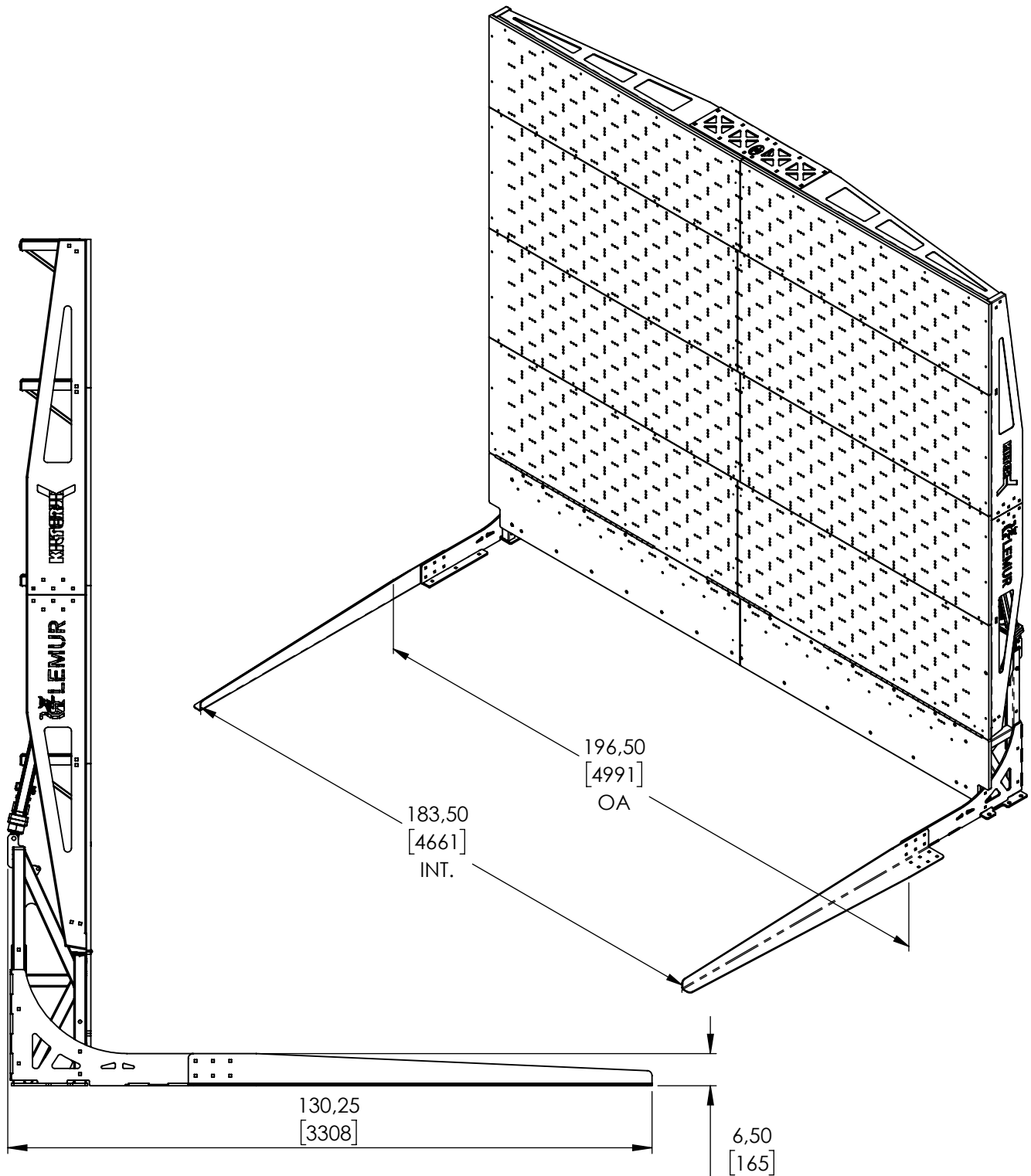
TOP VIEW
(Anchor brackets only)



LEMUR

COMPACT WALL 16'x12'-27" Kb
[4877 x 3658 - 686 Kickboard]

LEG KIT OPTION AVAILABLE

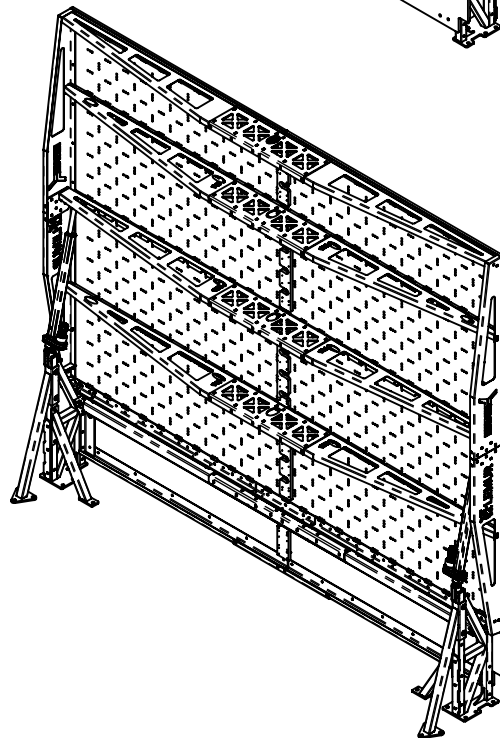
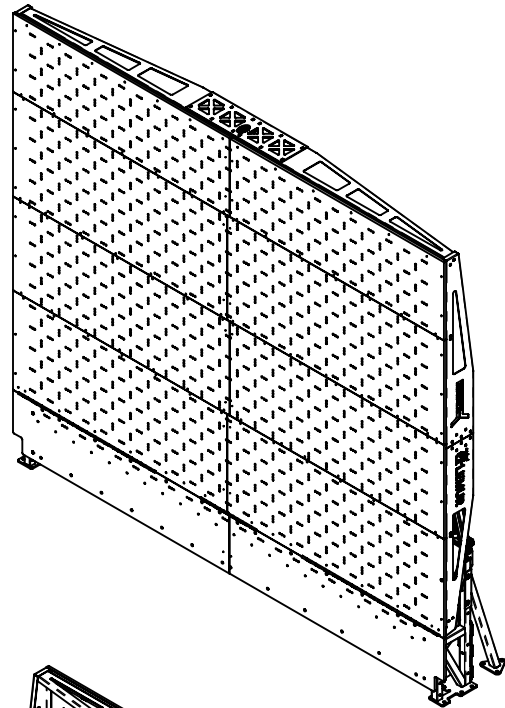
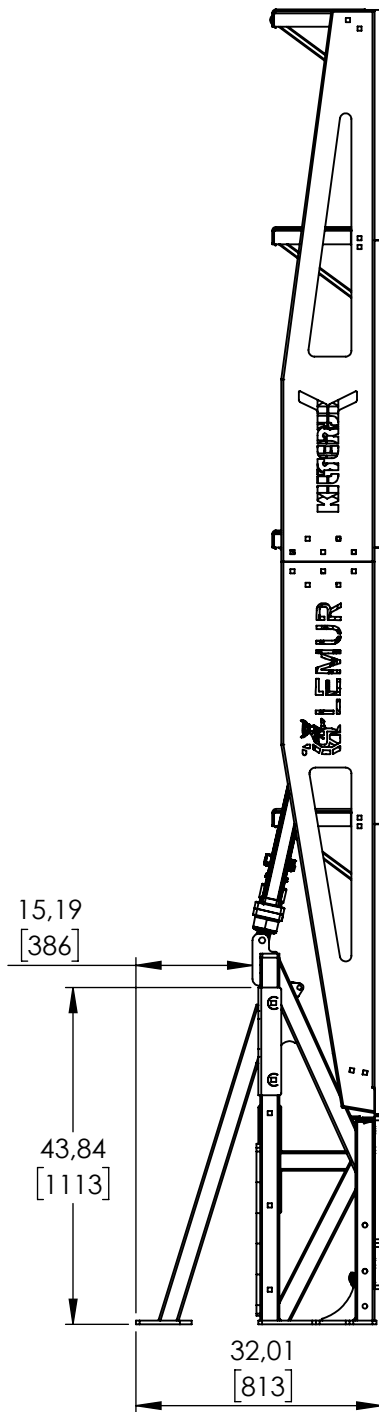


LEMUR

COMPACT WALL 16'x12'-27" Kb

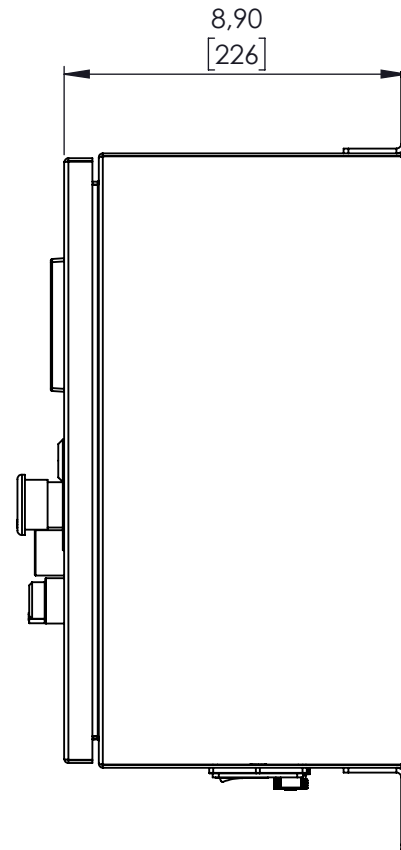
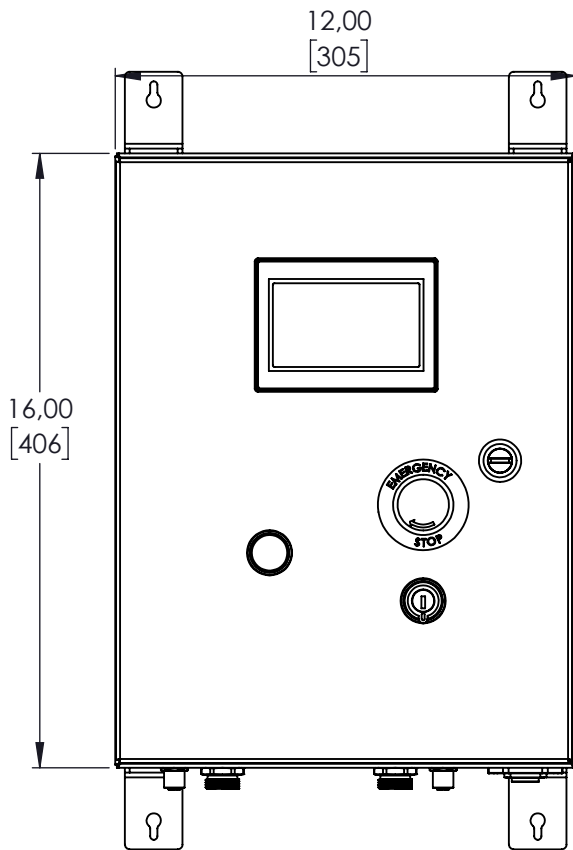
[4877 x 3658 - 686 Kickboard]

REAR LEG OPTION AVAILABLE



COMPACT WALL 16'x12'-27" Kb
[4877 x 3658 - 686 Kickboard]

CONTROLLER BOX



SPECIFICATION	
SIZE	16X12X8.9/406X305X226
WEIGHT	34lbs/16kg
POWER	120V - 240V 240W 50/60 Hz
LENGHT OF WIRES	33'/10m
TOUCH SCREEN	4"
CUSTOM SETTINGS	MIN/MAX
MOUNTING LOCATION	BUILDING WALL



LEMUR

COMPACT WALL 16'x12'-27" Kb

[4877 x 3658 - 686 Kickboard]

SPECIFICATION SHEET

SPECIFICATION	16 X 12 NO (27IN.) KICKBOARD
(MAX) HEIGHT (in/mm)	171,15 (4349)
DEPTH BEHIND KICKBOARD (in/mm)	16,82 (427) or 32,01 (813)
WIDTH (in/mm)	WALL: 190,25 (4832) BASE: 196,50 (4991)
KICKBOARD HEIGHT (MEASURED FROM FLOOR)	27 (686)
HEIGHT OF THE MOVING SECTION (in/mm)	144,15 (3661)
NUMBER OF T-NUTS (KILTERBOARD LAYOUT)	TBD
NUMBER OF T-NUTS (HOME WALL LAYOUT)	TBD
WEIGHT (Lbs./Kg)	2052 (931)
OPERATING VOLTAGE (V)	120/240 AC
OPERATING AMP (A)	3
CLIMBING PANELS MATERIAL	Baltic Birch
STRUCTURAL FRAME MATERIAL	Plain Carbon Steel



LEMUR

COMPACT WALL 16'x12'-27" Kb

[4877 x 3658 - 686 Kickboard]